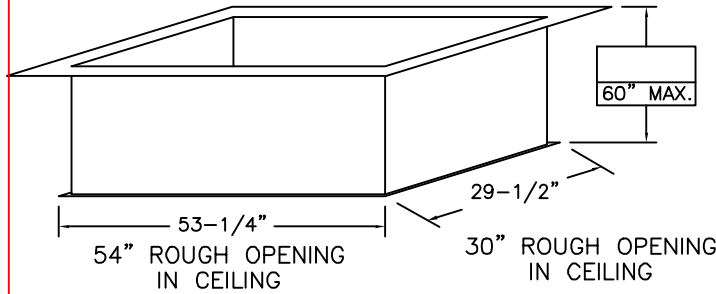


SUPER SIMPLEX DISAPPEARING STAIRWAY WITH DEEP BOX FRAME TO ROOF HATCH

FIVE INCH FLANGE
ALL AROUND TOP
ONE INCH FLANGE
ALL AROUND BOTTOM

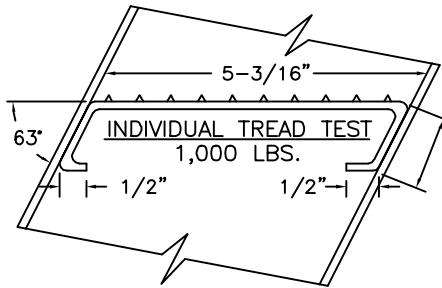
(USE THIS DRAWING FOR CEILING HEIGHTS 9'-9" OR LESS)

*** FIRE RATED UNITS ***
BEST IF UNIT IS INSTALLED BEFORE CEILING

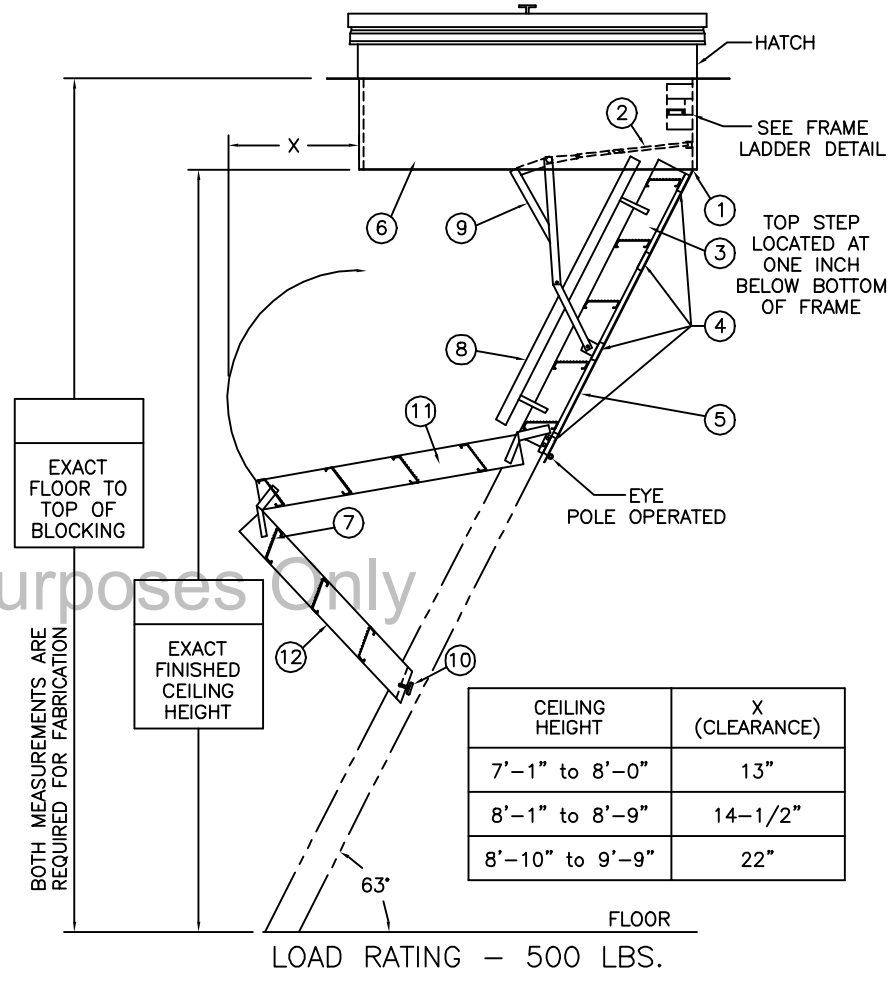
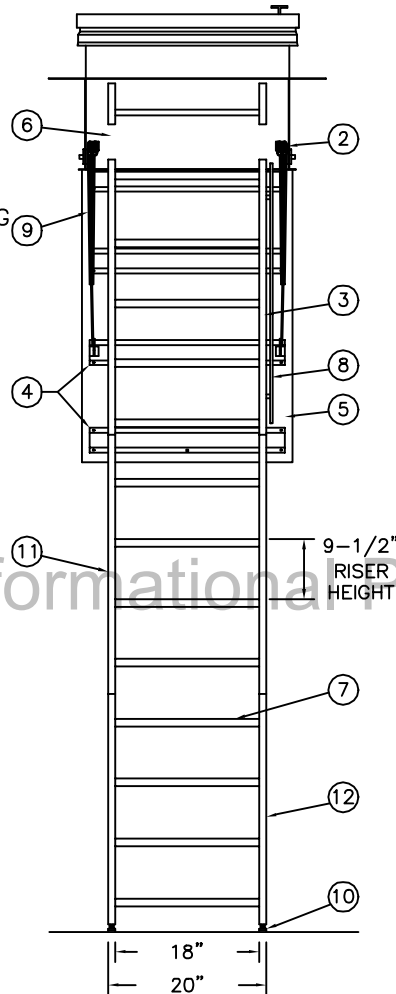
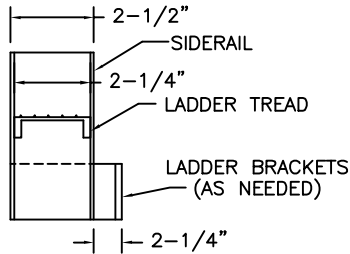


SPECIAL DEEP BOX FRAME

1/8" STEEL, TO CONTAIN ALUMINUM SUPER SIMPLEX FOLDING STAIRWAY CUT FOR EXACT FINISHED CEILING HEIGHT. THIS FRAME, WITH FACTORY INSTALLED BUILT-IN TREADS, PROVIDES STEPS FROM THE DROPPED-CEILING LINE TO THE UPPER FLOOR.



FRAME LADDER DETAIL



CEILING HEIGHT	X (CLEARANCE)
7'-1" to 8'-0"	13"
8'-1" to 8'-9"	14-1/2"
8'-10" to 9'-9"	22"

LOAD RATING - 500 LBS.

NOTES

ROUGH OPENING WIDTHS FROM 22-1/2" MIN. TO 39" MAX., 30" IS STANDARD. CLEAR TREAD WIDTH WILL VARY ACCORDING TO FRAME WIDTH.

IF FLOOR ABOVE IS MORE THAN 12" ABOVE CEILING LINE, 63 DEGREE ANGLE FRAME IS RECOMMENDED.

DIMENSIONS ON THIS DRAWING PERTAIN ONLY TO CEILING HEIGHTS 9'-9" OR LESS.

SHIPS COMPLETELY ASSEMBLED AS ONE UNIT

OPTIONS

- 2 HOUR FIRE RATED ASSEMBLY
- LOCK ON DOOR PANEL
- FOLD ASSIST

LADDER LEGEND

- 1. STEEL PIANO DOOR HINGE
- 2. DOUBLE SPRING ACTION
- 3. SIDE RUNNER 5" ALUM.
- 4. BATTEN 1/8" ALUM.
- 5. DOOR PANEL 1/8" ALUM.
- 6. STEEL BOX FRAME
- 7. TREAD (SERRATED ALUM.)
- 8. HANDRAIL ON RIGHT SIDE ONLY
- 9. EXTRA HEAVY OPERATING ARM
- 10. ADJUSTABLE FOOT
- 11. MIDDLE SECTION
- 12. BOTTOM SECTION

NOT TO SCALE

PSS1117-BDH-30



P. O. Box 2279
Morristown, TN 37816
Ph: (423) 586-2265
Fax: (423) 586-2091
www.PrecisionStairways.com

DWG. CHECK	ARCH'T OR ENG'R.	PROJECT	PRECISION REP
BUILT BY:	PURCHASE ORDER	REVISION	PURCHASER
CHECKED BY:	DRAWN BY: DNH	DATE: 4/25/22	MODEL# PSS1
		QTY.	SERIAL#