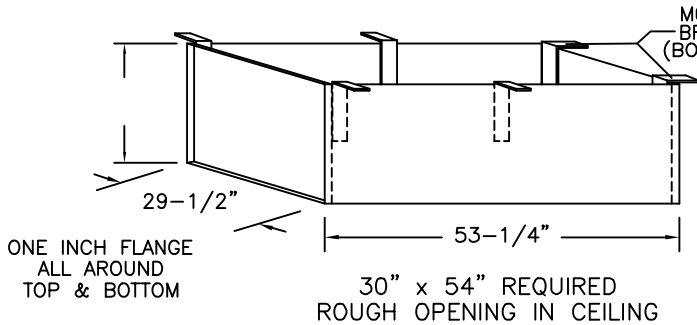


S4000 AUTOMATIC SUPER SIMPLEX STAIRWAY w/NON-RATED ALUMINUM DOOR

(USE THIS DRAWING FOR CEILING HEIGHTS 9'-9" OR LESS)



STANDARD BOX FRAME
FABRICATED FROM 1/8" STEEL
 THIS DRAWING ACCOMODATES FRAME DEPTHS FROM 6" TO 11".

NOTES

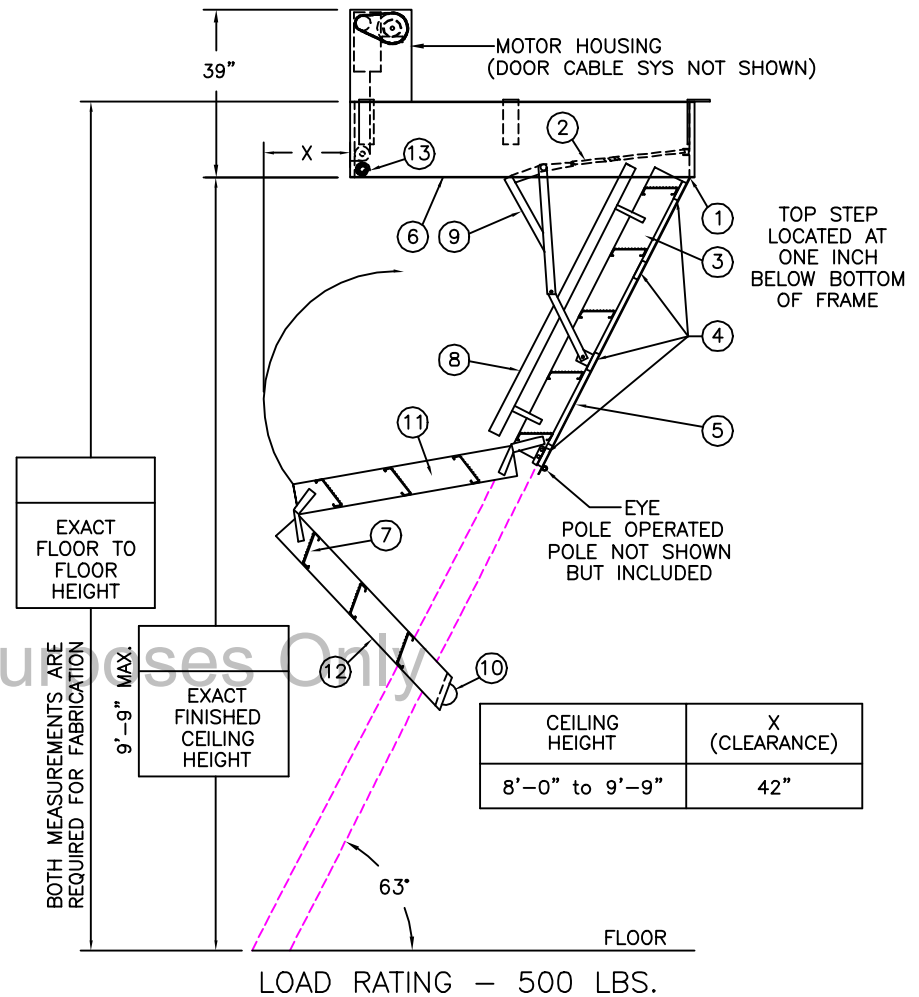
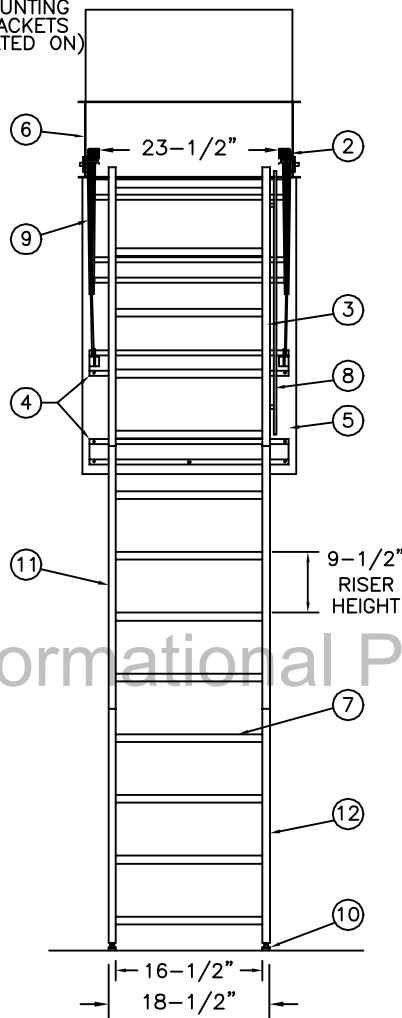
IF FLOOR ABOVE IS MORE THAN 12" ABOVE CEILING LINE, 63 DEGREE ANGLE FRAME IS RECOMMENDED.

DIMENSIONS ON THIS DRAWING PERTAIN ONLY TO CEILING HEIGHTS 9'-9" OR LESS AND LESS THAN A 12" FRAME.

SHIPS COMPLETELY ASSEMBLED AS ONE UNIT.

MOTOR REQUIRES STANDARD 120V/30A CIRCUIT

MODEL S4000 STAIRWAYS ARE ELECTRICALLY OPERATED VIA WIRELESS KEYPAD. ONCE A CORRECT CODE IS KEYED, THE DOOR PANEL OPENS (OR CLOSES) AND THE STAIR SECTIONS UNFOLD (OR FOLD UP).



NOT DESIGNED FOR ATTACHMENTS TO DOOR PANEL

LADDER LEGEND

- | | |
|---------------------------|------------------------------|
| 1. STEEL PIANO DOOR HINGE | 7. TREAD (SERRATED ALUM.) |
| 2. DOUBLE SPRING ACTION | 8. HANDRAIL RIGHT SIDE ONLY |
| 3. SIDE RUNNER 5" ALUM. | 9. EXTRA HEAVY OPERATING ARM |
| 4. BATTEN 1/8" ALUM. | 10. ROLLER |
| 5. DOOR PANEL 1/8" ALUM. | 11. MIDDLE SECTION |
| 6. STEEL BOX FRAME | 12. BOTTOM SECTION |
| | 13. EMERGENCY RELEASE CABLE |

NOT TO SCALE

S4117-B-30



P. O. Box 2279
 Morristown, TN 37816
 Ph: (423) 586-2265
 Fax: (423) 586-2091
 www.PrecisionStairways.com

DWG. CHECK	ARCH'T OR ENGR.	PROJECT		PRECISION REP
BUILT BY:	PURCHASE ORDER	REVISION	PURCHASER	SERIAL#
CHECKED BY:	DRAWN BY: DNH	DATE: 4/25/22	MODEL# PSS4	QTY.