

## Installation Instructions

### CAUTION!

**UNLESS IT IS AN EMERGENCY, DO NOT PULL EMERGENCY RELEASE CABLE (20ft. roll of cable on inside of frame next to motor)**

**Run emergency release cable to a location that can be accessed below and out of way of unit's opening path**

**Do Not Push 'Green Button' on "Start and Stop Button Assembly" unless needed, after installation.**

**It Is Advisable To Use A Winch To Hoist Automatic Super Simplex Into Rough Opening.**

**Do Not Exceed 10 Door Operations Per Hour.**

#### ➤ Step 1.

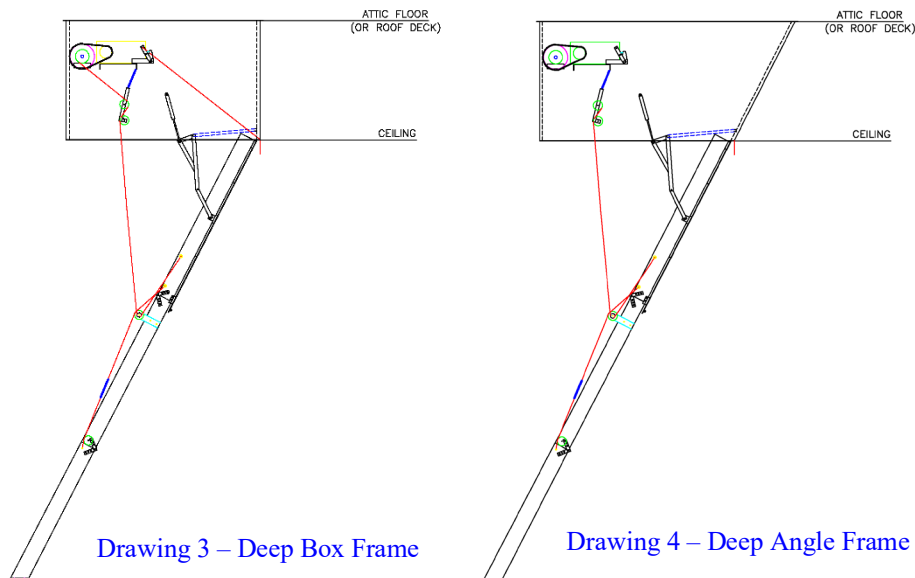
A. Create rough opening to size specified on submittal drawings.

➤ Step 2. – Identify the type of frame housing your stairway by comparing the drawings below, and hang the unit following the appropriate instructions.

**NOTE: Mounting bolts not included. Precision recommends minimum of 3/8" x 2 1/2" lag or anchor bolts!**

**IMPORTANT: DO NOT STAND ON STAIR UNTIL ALL BOLTS ARE TIGHTENED!!**

### Deep Box Frame or Deep Angle Frame



A **deep box frame** (Drawing 3) is just like a standard box frame except that the depth of the frame is greater than 11". The deep box frame also has a series of 1/4" thick mounting brackets factory-attached along the top of the frame.

A **deep angle frame** (Drawing 4) is identified by the fact that one end is angled at 63 degrees; it too has mounting brackets along the top of the frame.

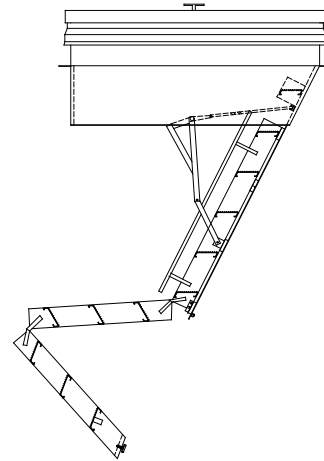
A. Make sure frame is square at top & bottom before proceeding.

B. If possible, lower the entire unit into the rough opening letting it rest on the mounting brackets. If it is not possible to lower the unit into place, remove the mounting brackets, lift the unit through the opening with fork-lift or other type of lift, reattach mounting brackets and lower the unit until it rests on the brackets. Check unit again for square, shim as necessary and bolt into place using recommended bolts.

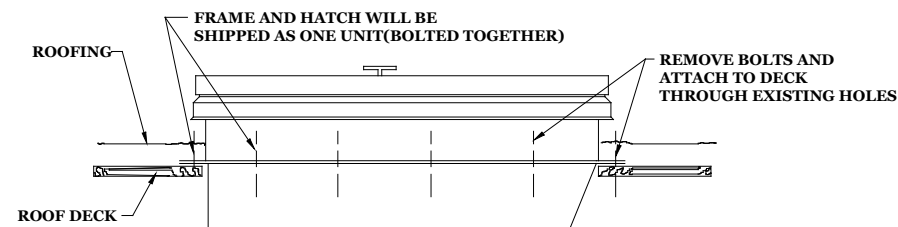
C. After stairway is installed, plug battery backup into motor.

### DEEP FRAME (BOX OR ANGLE) FOR ROOF ACCESS

A stairway designed for roof access (Drawing 5) is identified by a 5" wide flange at the top of the frame. If Precision Ladders is supplying the hatch, it will be bolted to the stairway frame through this 5" flange for shipment to the job. The frame can be a 63° angle frame as shown in Drawing 5, or it can be a box frame (both ends 90°) This entire unit must be lowered into the opening so that the 5" flange rests on the roof deck



Drawing 5 - Deep Frame w/Hatch



Drawing 6

A. Make sure frame is square at top and bottom before proceeding.

B. Lower unit into opening, resting the 5" mounting flange on the roof deck (see Drawing 6).

C. Remove bolts that secure hatch to frame (if hatch is included). Secure the entire unit to the roof deck through these holes using recommended fasteners.

D. After stairway is installed, plug battery backup into motor.

### Emergency Release Cable Routing

1. Emergency Release Cable Releases Motors tension on cables and pulleys (DO NOT PULL, UNLESS IT IS AN EMERGENCY)
2. Route Emergency Release Cable to a secure place below in the rare case of total unit failure.
3. If needed, drill hole through unit frame and use conduit to run Emergency Release Cable to secure location

### Operating Instructions

4. Stand clear of unit to allow opening procedure.
5. Put batteries in 'Wireless Push Button Remote' and 'Wireless Keypad Remote.' Plug unit into a power source (if power source is not readily available, the 'Battery Backup' is pre-charged for use). Use 'Wireless Push Button Remote' to allow unit to open for the first time.

**IMPORTANT: DO NOT STAND ON STAIR UNTIL ALL BOLTS ARE TIGHTENED!!**

6. 'Wireless Keypad Remote' is shipped with the PIN code set to the last 4 digits of the stairway's serial number. See manual with 'Wireless Keypad Remote' to change the PIN, if needed.

### ROUTINE MAINTENANCE

- Inspect springs and cables for wear. Locations are shown on parts list.
- Inspect units for loose bolts, nuts fasteners, etc. Tighten if necessary.
- Treat stringer hinges periodically with a lubricant such as WD-40®.
- Keep stairway climbing and gripping surfaces as well as footwear free of oil and grease or other slippery substances.
- Inspect treads for any deformation.
- Report any defects or deterioration to your supervisor immediately.

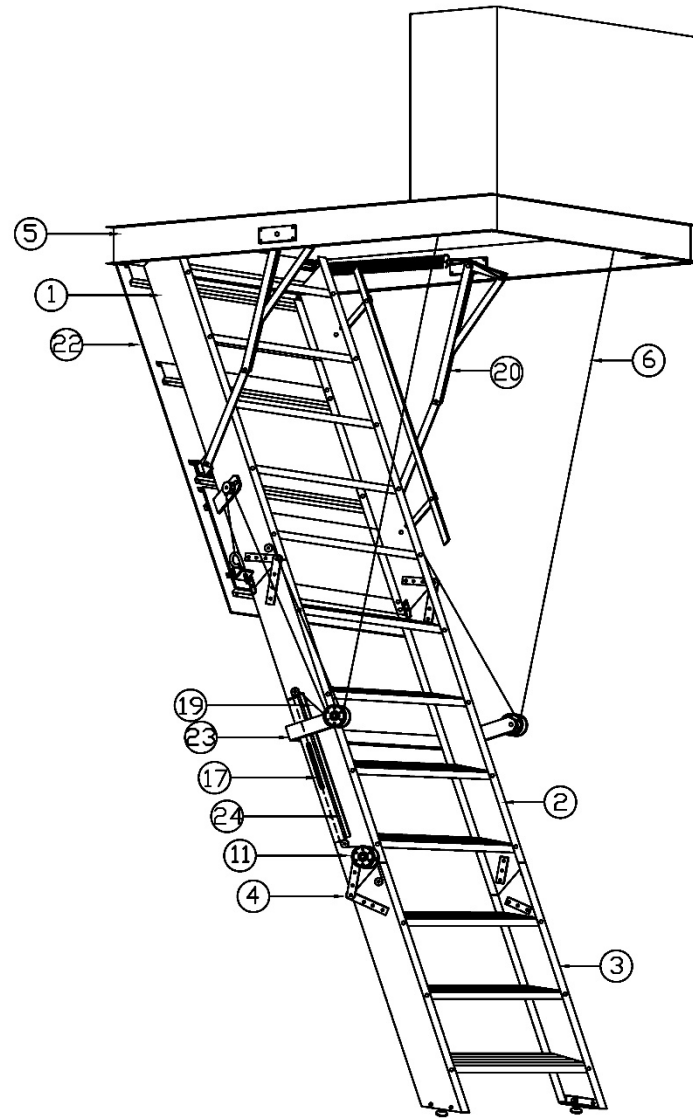
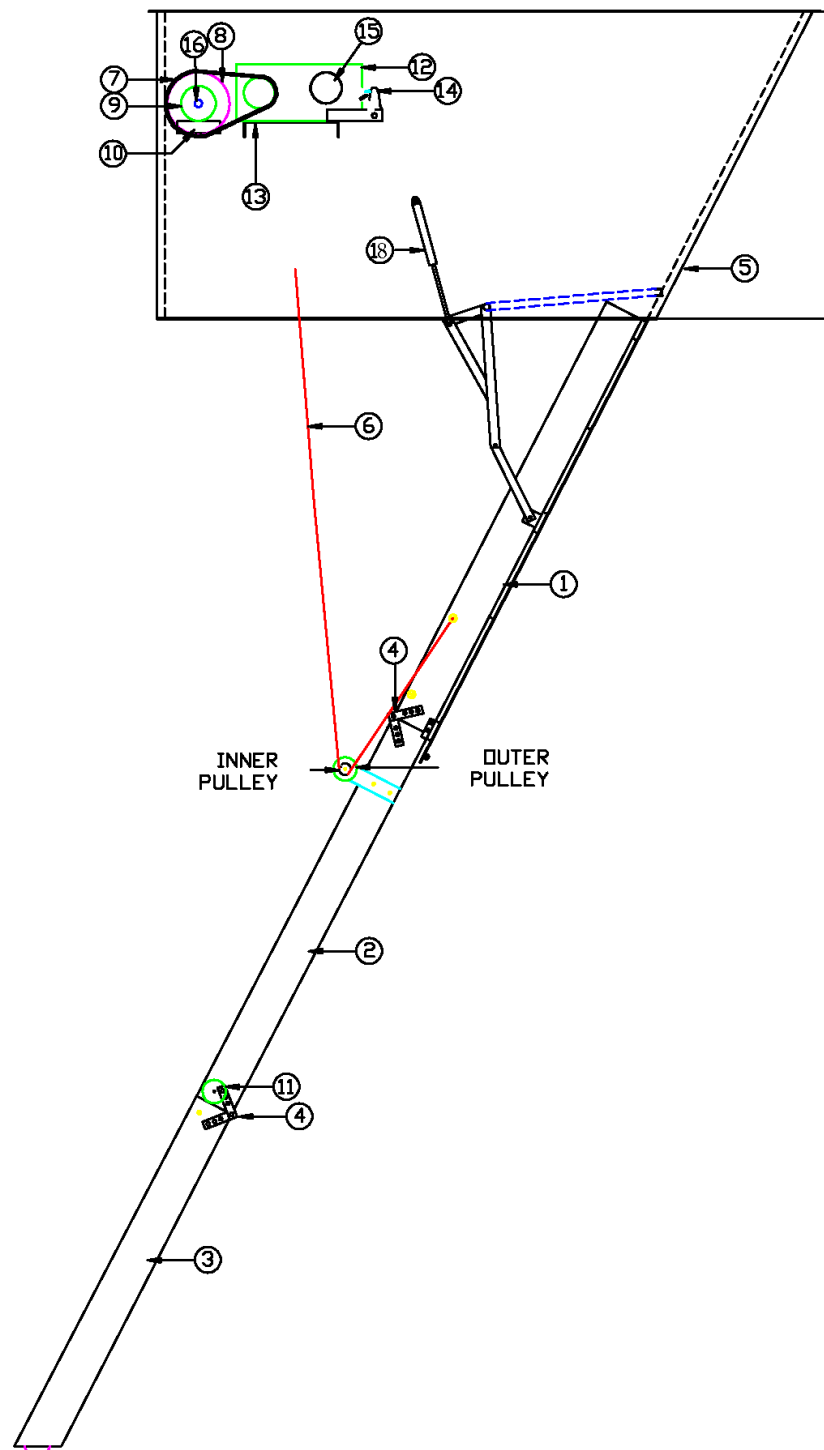
### Troubleshooting

- If changes are needed for programming (receiver, travel limits, or force), lift lid of motor for instructions on completing each task. Use Caution and be aware of moving stairway while setting travel limits or force.
- To program the 'Wireless Keypad Remote', use instruction manual that is included in 'Wireless Keypad Remote' box.

**Parts List**

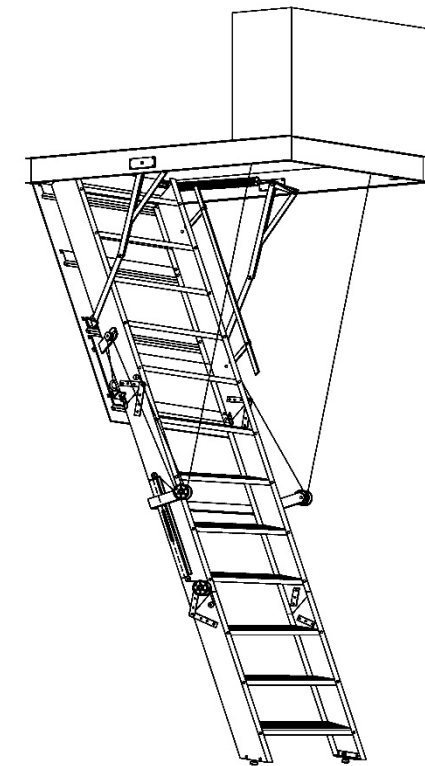


**INSTALLATION INSTRUCTIONS  
and  
OPERATIONS & MAINTENANCE  
MANUAL  
for  
AUTOMATIC SUPER SIMPLEX  
DISAPPEARING STAIRWAYS**



To order replacement parts for the Super Simplex, the serial number of the stairway is required. The serial number is punched into the front edge of the bottom step of each stairway. Please locate this number and write it down prior to calling the factory to place an order.

- |                     |  |
|---------------------|--|
| 1 Top Stair Section | 13 Motor Shelf                             |
| 2 Middle Section    | 14 Motor Release Assembly                  |
| 3 Bottom Section    | 15 Release Cable                           |
| 4 Section Hinge     | 16 Drive Shaft                             |
| 5 Stairway Frame    | 17 Cable Tension Spring(Under Cable Guard) |
| 6 Lifting Cable     | 18 Gas Shock                               |
| 7 Chain             | 19 Folding Cable                           |
| 8 Sprocket          | 20 Operating Arm                           |
| 9 Cable Spool       | 21 Spring                                  |
| 10 Pillow Block     | 22 Door Panel                              |
| 11 Pulley           | 23 Fold Bar                                |
| 12 Motor            | 24 Cable Guard                             |



Precision Stairways  
P. O. Box 2279  
Morristown, TN 37816-2279  
Phone: (423) 586-2265 Fax: (423) 586-2091