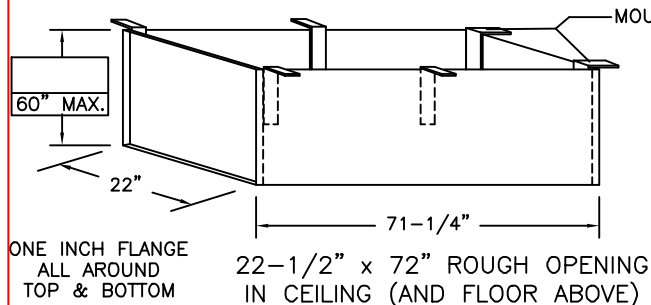


# SUPER SIMPLEX DISAPPEARING STAIRWAY WITH NON-RATED ALUMINUM DOOR

(USE THIS DRAWING FOR CEILING HEIGHTS BETWEEN 12'-1" TO 13'-6")

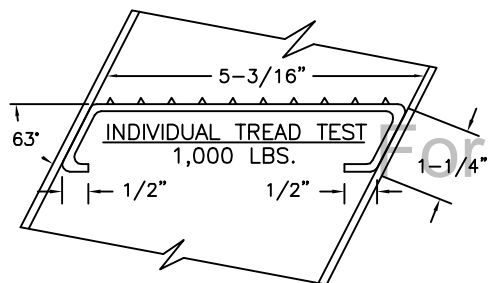


ONE INCH FLANGE ALL AROUND TOP & BOTTOM

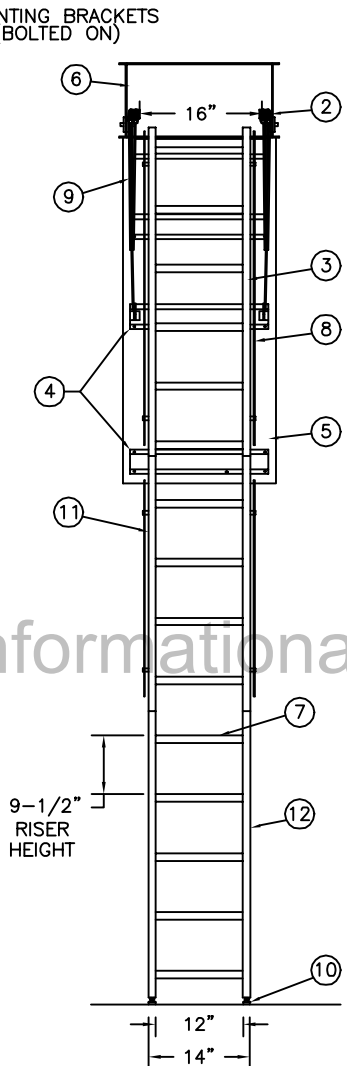
22-1/2" x 72" ROUGH OPENING IN CEILING (AND FLOOR ABOVE)

**STANDARD BOX FRAME FABRICATED FROM 1/8" STEEL**

THIS DRAWING ACCOMODATES FRAME DEPTHS FROM 6" TO 11".



INDIVIDUAL TREAD TEST  
1,000 LBS.



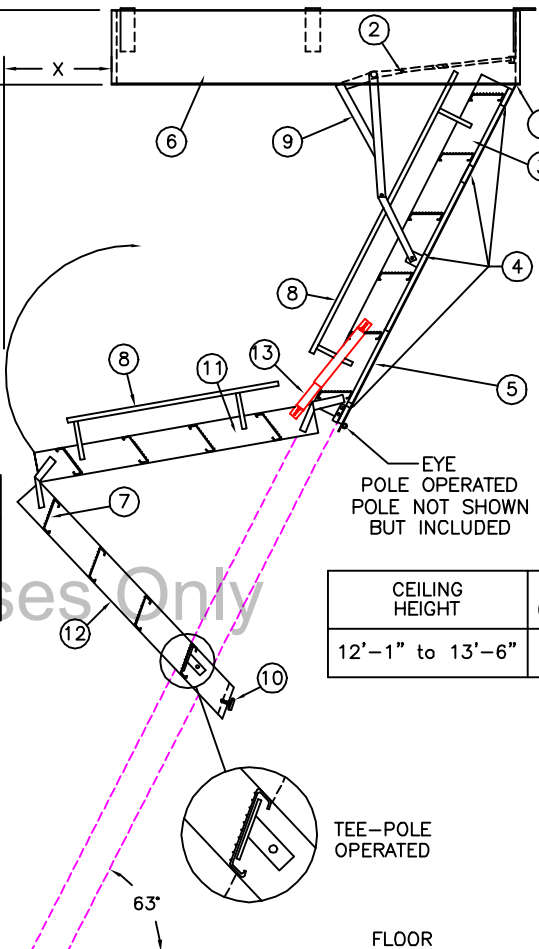
9-1/2" RISER HEIGHT

EXACT FLOOR TO FLOOR HEIGHT

BOTH MEASUREMENTS ARE REQUIRED FOR FABRICATION

13'-6" MAX.

EXACT FINISHED CEILING HEIGHT



TOP STEP LOCATED AT ONE INCH BELOW BOTTOM OF FRAME

EYE POLE OPERATED POLE NOT SHOWN BUT INCLUDED

CEILING HEIGHT	X (CLEARANCE)
12'-1" to 13'-6"	30"

TEE-POLE OPERATED

LOAD RATING - 500 LBS.

## LADDER LEGEND

- |                           |                              |
|---------------------------|------------------------------|
| 1. STEEL PIANO DOOR HINGE | 7. TREAD (SERRATED ALUM.)    |
| 2. DOUBLE SPRING ACTION   | 8. HANDRAIL BOTH SIDES       |
| 3. SIDE RUNNER 5" ALUM.   | 9. EXTRA HEAVY OPERATING ARM |
| 4. BATTEN 1/8" ALUM.      | 10. ADJUSTABLE FOOT          |
| 5. DOOR PANEL 1/8" ALUM.  | 11. MIDDLE SECTION           |
| 6. STEEL BOX FRAME        | 12. BOTTOM SECTION           |
|                           | 13. FOLD-ASSIST              |

## NOTES

DIMENSIONS ON THIS DRAWING PERTAIN ONLY TO CEILING HEIGHTS BETWEEN 12'-1" TO 13'-6" WITH LESS THAN A 12" FRAME.

SHIPS COMPLETELY ASSEMBLES AS ONE UNIT.

MANUFACTURER RECOMMENDS THAT 2 PEOPLE OPEN/CLOSE UNITS INSTALLED IN CEILINGS 11' & OVER.

NOT TO SCALE

PSS2162-B-22.5



P. O. Box 2279  
Morristown, TN 37816  
Ph: (423) 586-2265  
Fax: (423) 586-2091  
www.PrecisionStairways.com

DWG. CHECK

BUILT BY:

CHECKED BY:

ARCHT OR ENG'R.

PURCHASE ORDER

DRAWN BY:

DNH

PROJECT

REVISION

DATE

4/25/22

PURCHASER

MODEL#

PSS2

QTY.

PRECISION REP

SERIAL#