

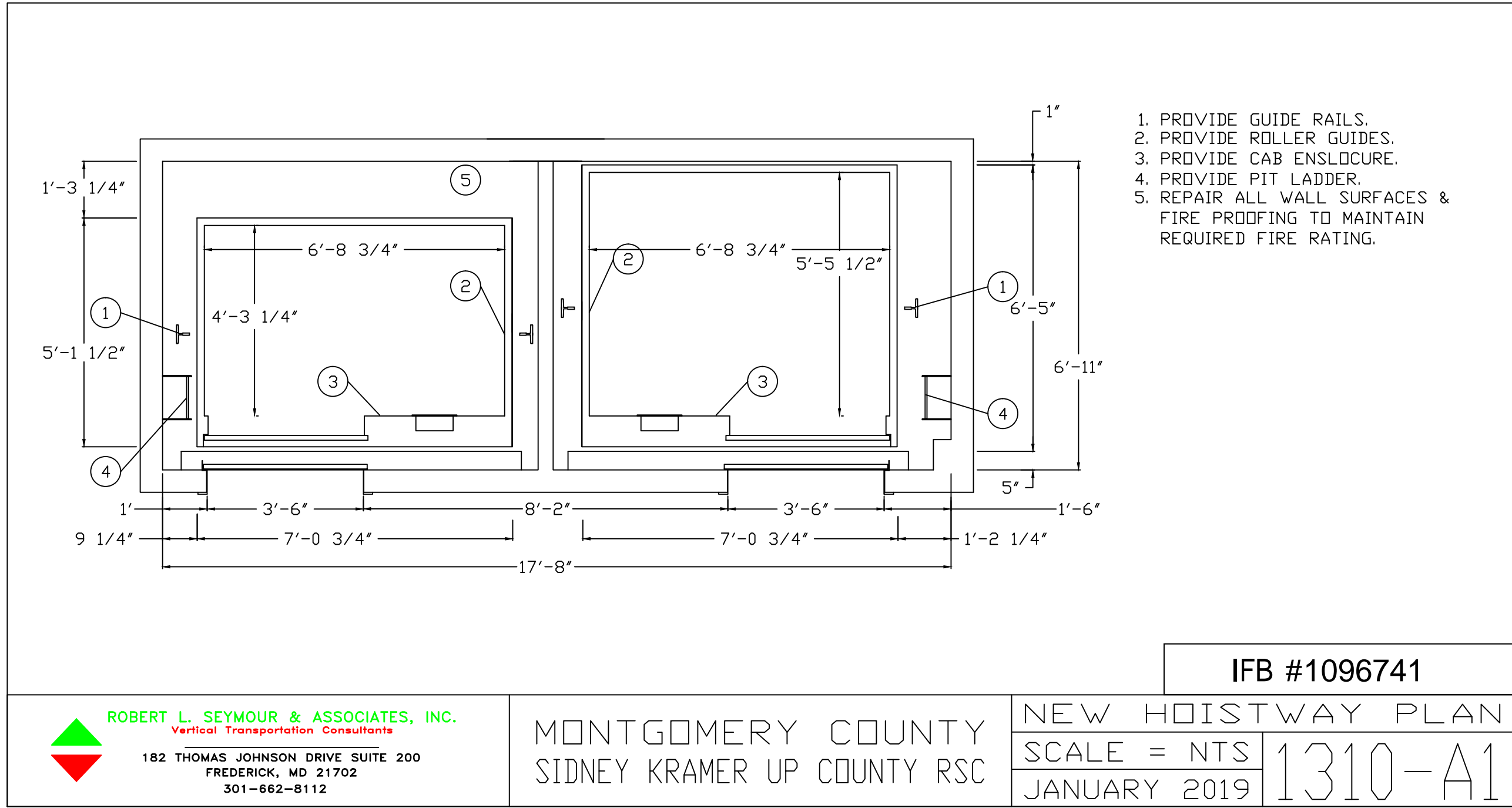
IFB #1096741



ROBERT L. SEYMOUR & ASSOCIATES, INC.
 Vertical Transportation Consultants
 182 THOMAS JOHNSON DRIVE SUITE 200
 FREDERICK, MD 21702
 301-662-8112

MONTGOMERY COUNTY
 SIDNEY KRAMER UP COUNTY RSC

EXISTING HOISTWAY PLAN	
SCALE = NTS	1310-A
JANUARY 2019	



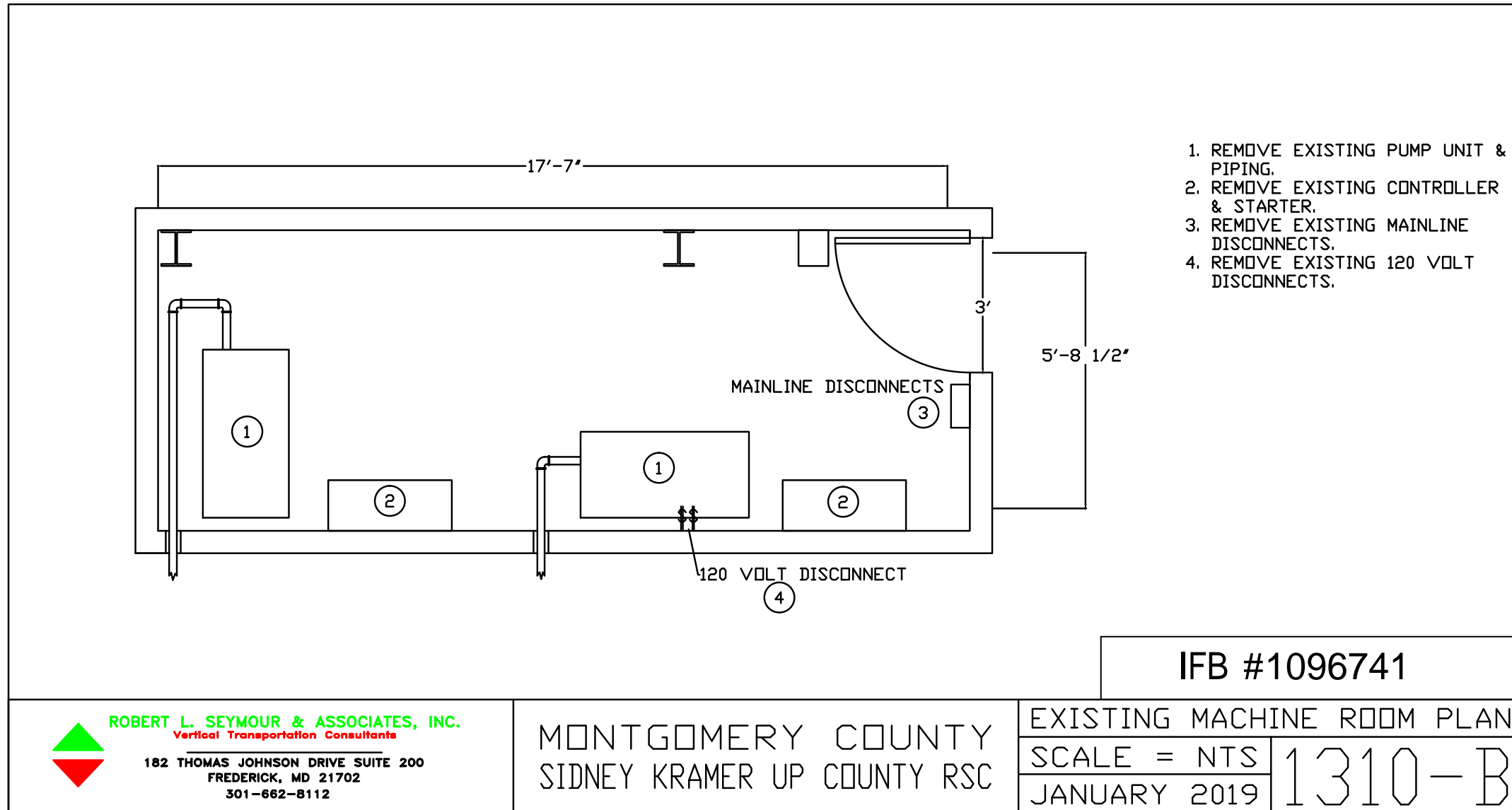
- 1. PROVIDE GUIDE RAILS.
- 2. PROVIDE ROLLER GUIDES.
- 3. PROVIDE CAB ENSLCURE.
- 4. PROVIDE PIT LADDER.
- 5. REPAIR ALL WALL SURFACES & FIRE PROOFING TO MAINTAIN REQUIRED FIRE RATING.

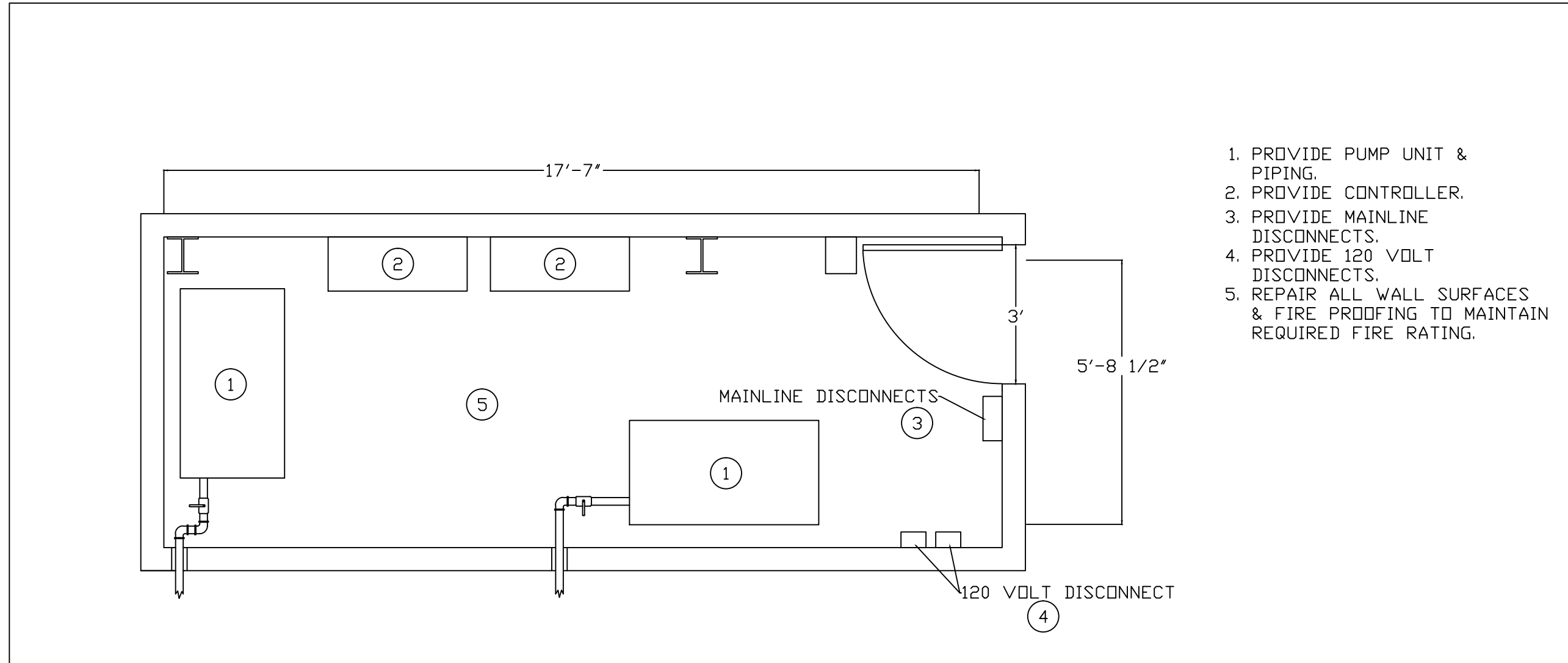
IFB #1096741

ROBERT L. SEYMOUR & ASSOCIATES, INC.
 Vertical Transportation Consultants
 182 THOMAS JOHNSON DRIVE SUITE 200
 FREDERICK, MD 21702
 301-662-8112

MONTGOMERY COUNTY
 SIDNEY KRAMER UP COUNTY RSC


NEW HOISTWAY PLAN	
SCALE = NTS	1310-A1
JANUARY 2019	





1. PROVIDE PUMP UNIT & PIPING.
2. PROVIDE CONTROLLER.
3. PROVIDE MAINLINE DISCONNECTS.
4. PROVIDE 120 VOLT DISCONNECTS.
5. REPAIR ALL WALL SURFACES & FIRE PROOFING TO MAINTAIN REQUIRED FIRE RATING.

IFB #1096741



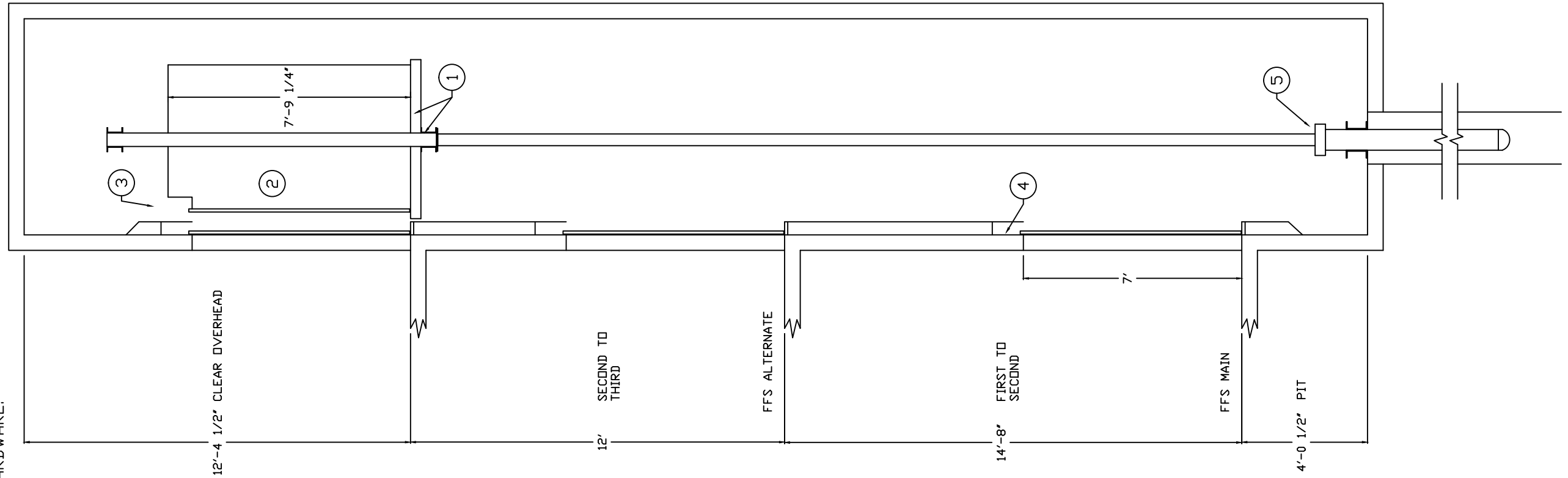
ROBERT L. SEYMOUR & ASSOCIATES, INC.
Vertical Transportation Consultants
 182 THOMAS JOHNSON DRIVE SUITE 200
 FREDERICK, MD 21702
 301-662-8112

MONTGOMERY COUNTY
 SIDNEY KRAMER UP COUNTY RSC

NEW MACHINE ROOM PLAN	
SCALE = NTS	1310-B1
JANUARY 2019	

IFB NO. 1096741

- 1. REFURBISH EXISTING CAR SLING & PLATFORM.
- 2. REMOVE EXISTING CAR ENCLOSURE.
- 3. REMOVE EXISTING CAR DOOR OPERATOR.
- 4. REMOVE EXISTING HOISTWAY DOOR HARDWARE.
- 5. REMOVE EXISTING JACK ASSEMBLY.



IFB #1096741



ROBERT L. SEYMOUR & ASSOCIATES, INC.
Vertical Transportation Consultants

182 THOMAS JOHNSON DRIVE SUITE 200
FREDERICK, MD 21702
301-662-8112

MONTGOMERY COUNTY
SIDNEY KRAMER UP COUNTY RSC

EXISTING HOISTWAY ELEVATION

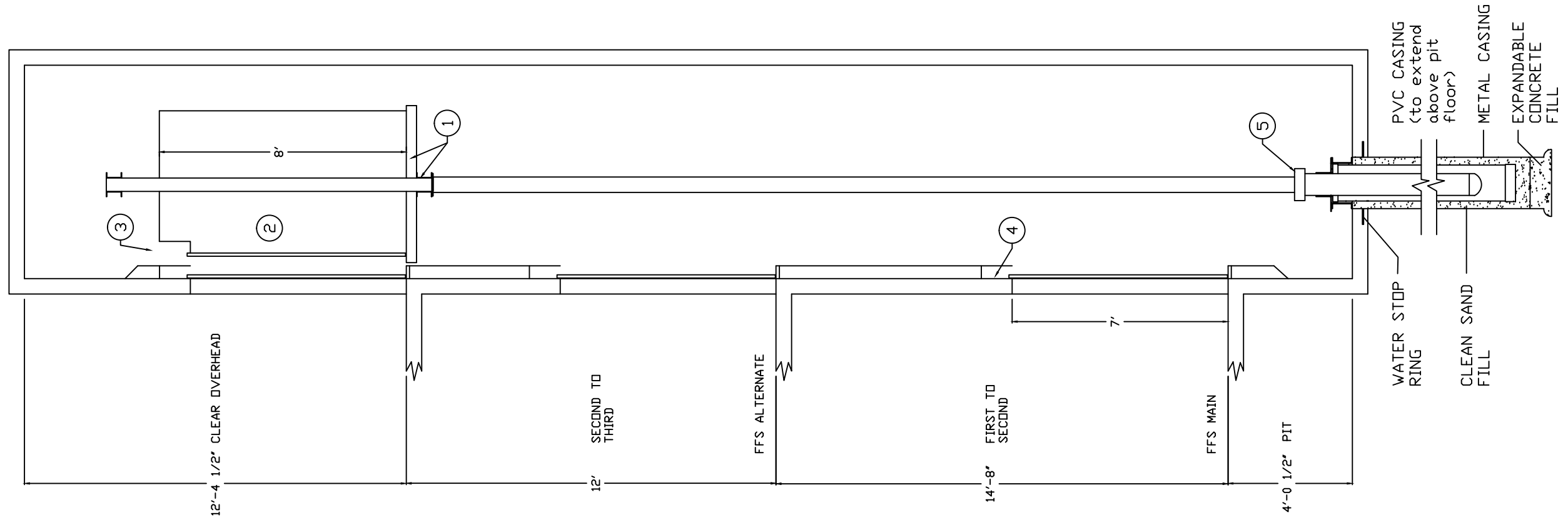
SCALE = NTS

JANUARY 2019

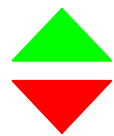
1310-C

IFB NO. 1096741

- 1. REFURBISH EXISTING CAR SLING & PLATFORM.
- 2. PROVIDE CAR ENCLOSURE.
- 3. PROVIDE CAR DOOR OPERATOR.
- 4. PROVIDE HOISTWAY DOOR HARDWARE.
- 5. PROVIDE JACK ASSEMBLY.



IFB #1096741



ROBERT L. SEYMOUR & ASSOCIATES, INC.
Vertical Transportation Consultants

182 THOMAS JOHNSON DRIVE SUITE 200
FREDERICK, MD 21702
301-662-8112

MONTGOMERY COUNTY
SIDNEY KRAMER UP COUNTY RSC

ELEV. #1 NEW HOISTWAY ELEVATION

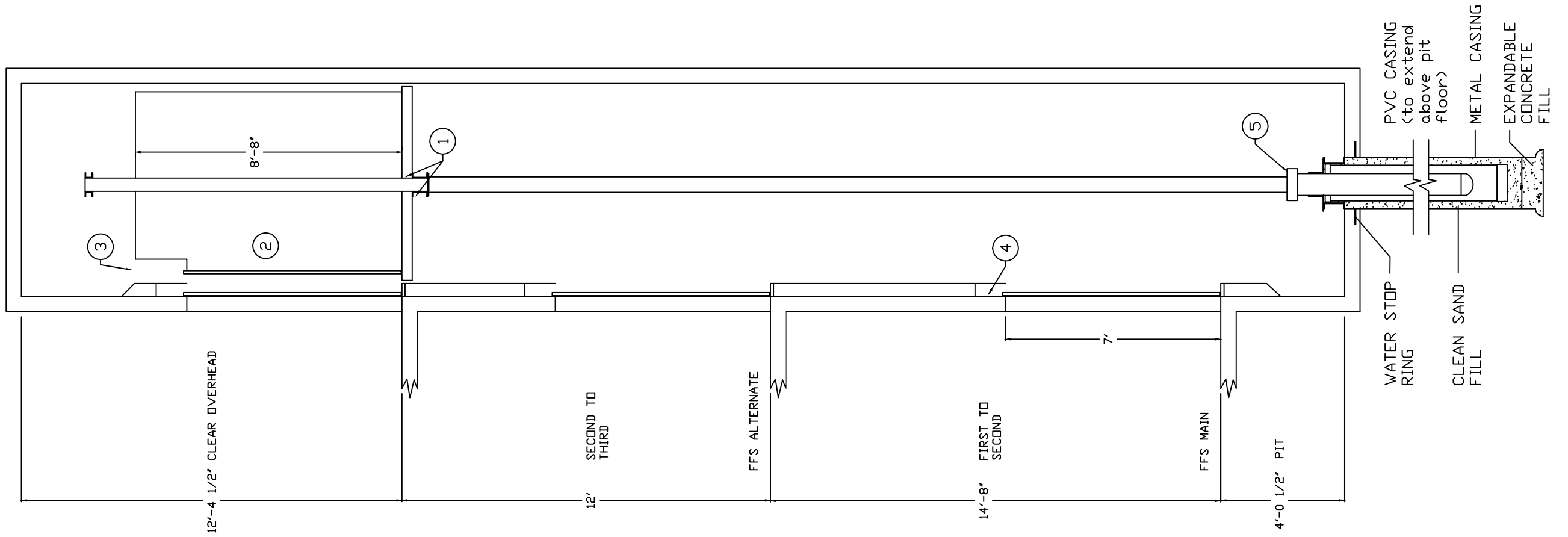
SCALE = NTS

JANUARY 2019

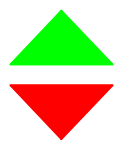
1310-C1

IFB NO. 1096741

- 1. REFURBISH EXISTING CAR SLING & PLATFORM.
- 2. PROVIDE CAR ENCLOSURE.
- 3. PROVIDE CAR DOOR OPERATOR.
- 4. PROVIDE HOISTWAY DOOR HARDWARE.
- 5. PROVIDE JACK ASSEMBLY.



IFB #1096741



ROBERT L. SEYMOUR & ASSOCIATES, INC.
Vertical Transportation Consultants

182 THOMAS JOHNSON DRIVE SUITE 200
FREDERICK, MD 21702
301-662-8112

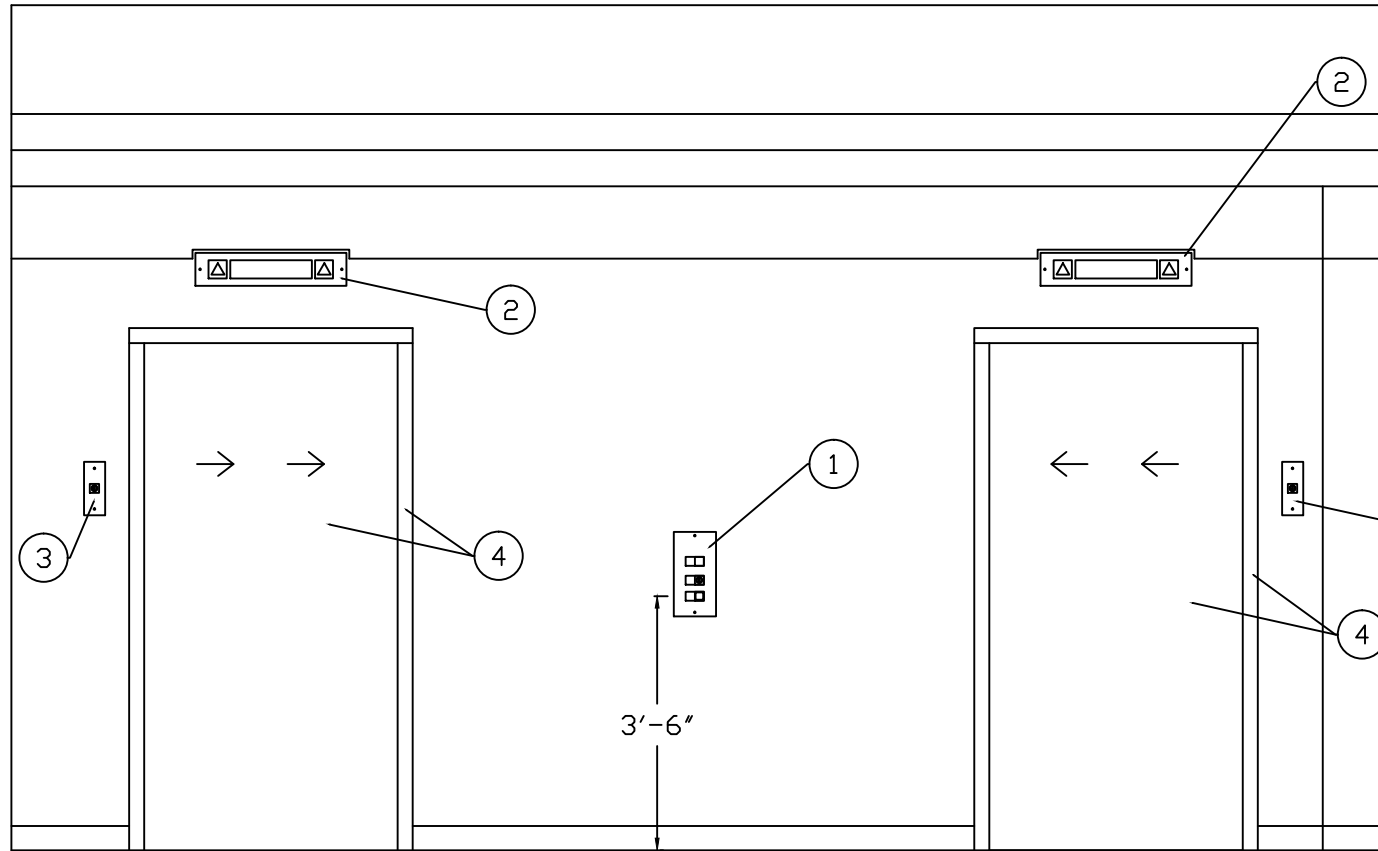
MONTGOMERY COUNTY
SIDNEY KRAMER UP COUNTY RSC

ELEV. #2 NEW HOISTWAY ELEVATION

SCALE = NTS

JANUARY 2019

1310-C2



1. REMOVE EXISTING CORRIDOR PUSHBUTTON STATIONS.
2. REMOVE EXISTING CORRIDOR POSITION INDICATORS & LANTERNS.
3. REMOVE EXISTING HOISTWAY ACCESS KEY SWITCH STATION.
4. RETAIN EXISTING HOISTWAY DOOR FRAMES & REPLACE DOOR PANELS.

FIRST FLOOR SHOWN
OTHERS SIMILAR

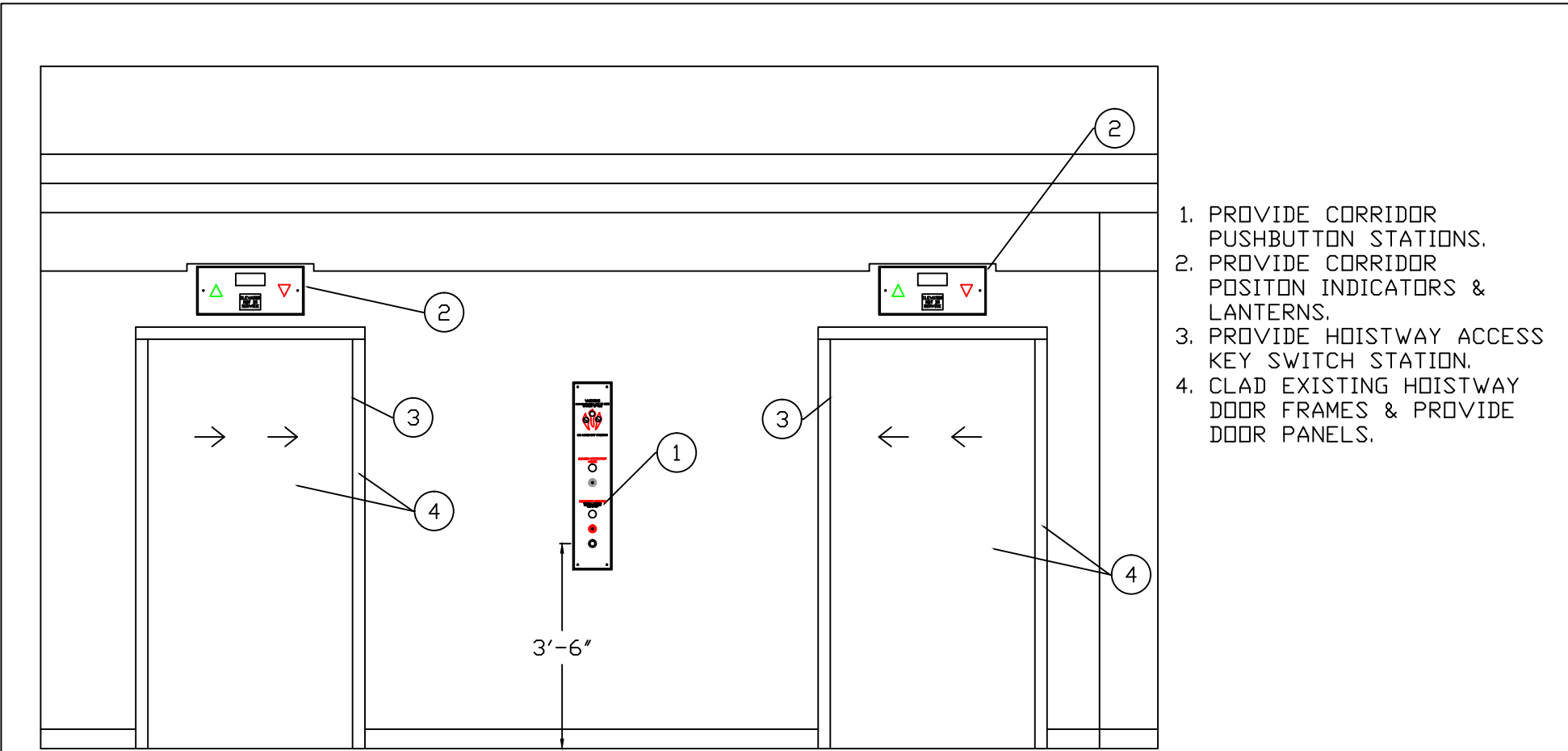
IFB #1096741



ROBERT L. SEYMOUR & ASSOCIATES, INC.
Vertical Transportation Consultants
182 THOMAS JOHNSON DRIVE SUITE 200
FREDERICK, MD 21702
301-662-8112

MONTGOMERY COUNTY
SIDNEY KRAMER UP COUNTY RSC

EXISTING LANDING ELEVATION	
SCALE = NTS	1310-D
JANUARY 2019	



FIRST FLOOR SHOWN
 OTHERS SIMILAR

IFB #1096741

 **ROBERT L. SEYMOUR & ASSOCIATES, INC.**
 Vertical Transportation Consultants
 182 THOMAS JOHNSON DRIVE SUITE 200
 FREDERICK, MD 21702
 301-662-8112

MONTGOMERY COUNTY
 SIDNEY KRAMER UP COUNTY RSC

NEW LANDING ELEVATION	
SCALE = NTS	1310-D1
JANUARY 2019	