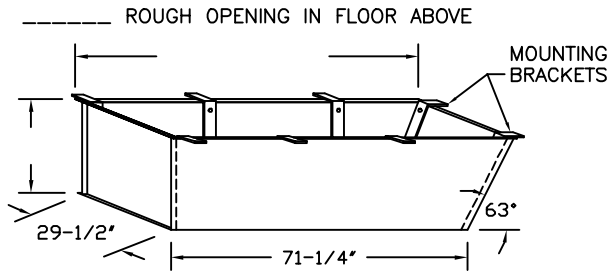


S4000 AUTOMATIC SUPER SIMPLEX STAIRWAY WITH DEEP ANGLE FRAME

(USE THIS DRAWING FOR CEILING HEIGHTS BETWEEN 12'-1" TO 13'-6")

ONE INCH FLANGE
ALL AROUND
TOP & BOTTOM



30" x 72" REQUIRED
ROUGH OPENING IN CEILING

SPECIAL DEEP FRAME

1/8" STEEL, 63 DEGREE ANGLE ONE END, 90 DEGREE OTHER END, TO CONTAIN SUPER SIMPLEX FOLDING STAIRWAY CUT FOR EXACT FINISHED CEILING HEIGHT. THIS FRAME, WITH FACTORY INSTALLED BUILT-IN TREADS, PROVIDES STEPS FROM THE DROPPED-CEILING LINE TO THE UPPER FLOOR.

NOTES

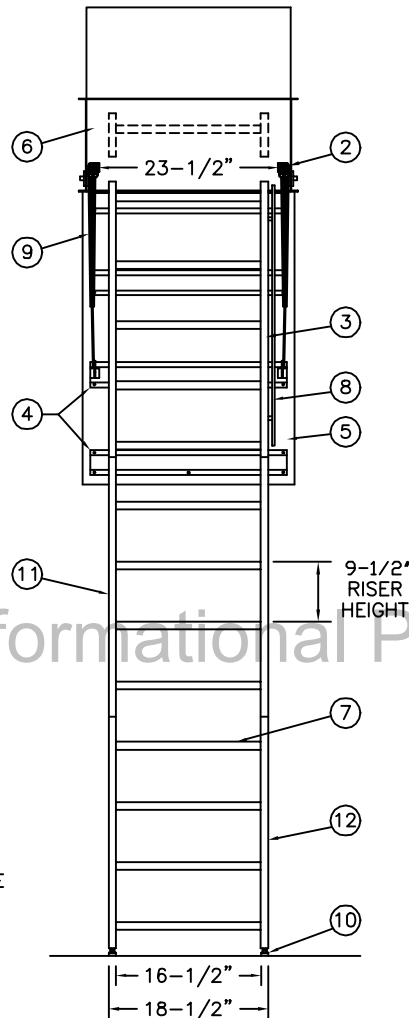
DIMENSIONS ON THIS DRAWING PERTAIN ONLY TO CEILING HEIGHTS BETWEEN 12'-1" AND 13'-6"

MANUFACTURER RECOMMENDS THAT 2 PEOPLE OPEN/CLOSE UNITS INSTALLED IN CEILINGS 11' & OVER.

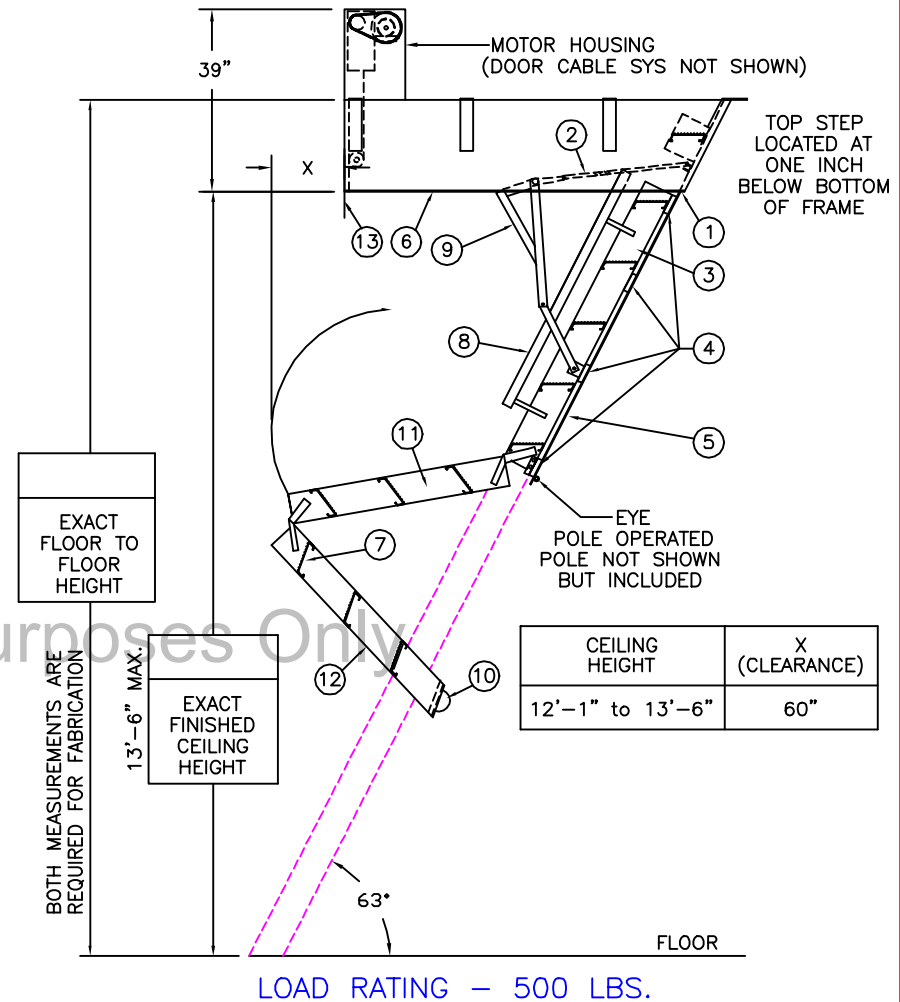
SHIPS COMPLETELY ASSEMBLED AS ONE UNIT

MOTOR REQUIRES STANDARD 120V/30A CIRCUIT

MODEL SS4000 STAIRWAYS ARE ELECTRICALLY OPERATED VIA WIRELESS KEYPAD. ONCE A CORRECT CODE IS KEYED, THE DOOR PANEL OPENS (OR CLOSES) AND THE STAIR SECTIONS UNFOLD (OR FOLD UP).



NOT DESIGNED FOR
ATTACHMENTS TO
DOOR PANEL



BOTH MEASUREMENTS ARE
REQUIRED FOR FABRICATION

EXACT FLOOR TO
FLOOR HEIGHT

EXACT FINISHED
CEILING HEIGHT

LOAD RATING - 500 LBS.

CEILING HEIGHT	X (CLEARANCE)
12'-1" to 13'-6"	60"

LADDER LEGEND

- 1. STEEL PIANO DOOR HINGE
- 2. DOUBLE SPRING ACTION
- 3. SIDE RUNNER 5" ALUM.
- 4. BATTEN 1/8" ALUM.
- 5. DOOR PANEL 1/8" ALUM.
- 6. STEEL ANGLE FRAME
- 7. TREAD (SERRATED ALUM.)
- 8. HANDRAIL RIGHT SIDE ONLY
- 9. EXTRA HEAVY OPERATING ARM
- 10. ROLLER
- 11. MIDDLE SECTION
- 12. BOTTOM SECTION
- 13. EMERGENCY RELEASE CABLE

NOT TO SCALE

PSS4162-A-30



P. O. Box 2279
Morristown, TN 37816
Ph: (423) 586-2265
Fax: (423) 586-2091
www.PrecisionStairways.com

DWG. CHECK
BUILT BY:
CHECKED BY:

ARCH'T OR ENG'R.
PURCHASE ORDER
DRAWN BY: DNH

PROJECT
REVISION
DATE 4/25/22

PURCHASER
MODEL# PSS4

PRECISION REP
SERIAL#
QTY.