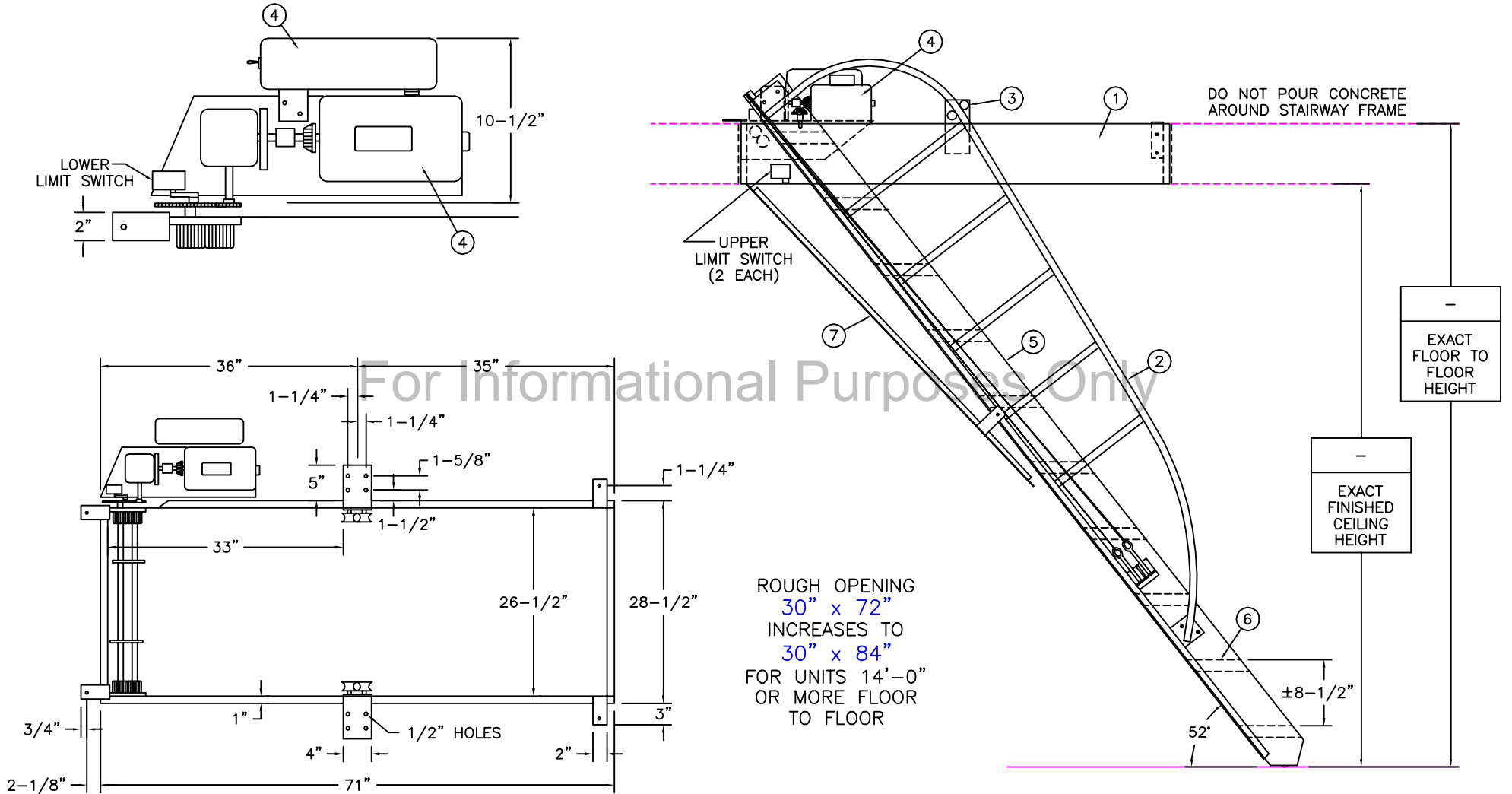


PRECISION AUTOMATIC ELECTRIC DISAPPEARING STAIRWAY

SEE NEXT PAGE FOR KEY
AND IMPORTANT DIMENSIONS



NOT TO SCALE

PSAE



P. O. Box 2279
Morristown, TN 37816
Ph: (423) 586-2265
Fax: (423) 586-2091
www.PrecisionStairways.com

| | | | | |
|-------------|------------------|------------------|---------------|---------------|
| DWG. CHECK | ARCH'T OR ENG'R. | PROJECT | | PRECISION REP |
| BUILT BY: | PURCHASE ORDER | WORK ORDER | PURCHASER | SERIAL# |
| CHECKED BY: | DRAWN BY: JBR | DATE 12/23/09 | MODEL# AE- | QTY. 1 |