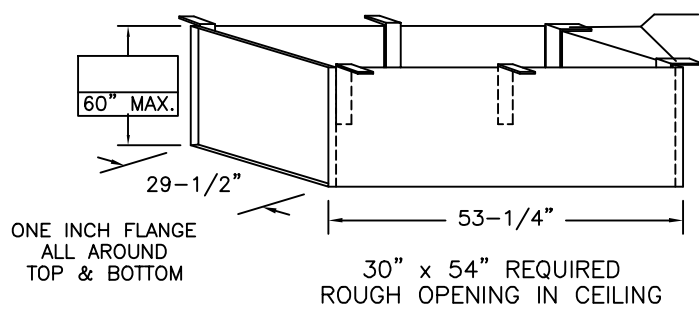


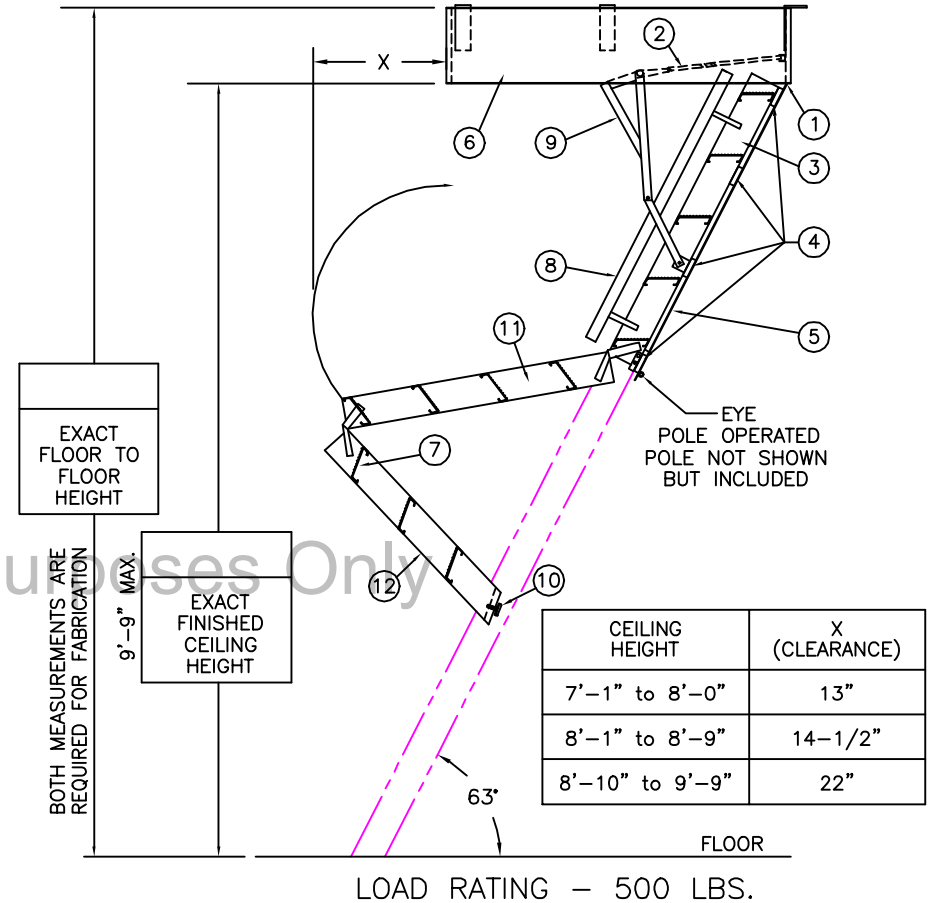
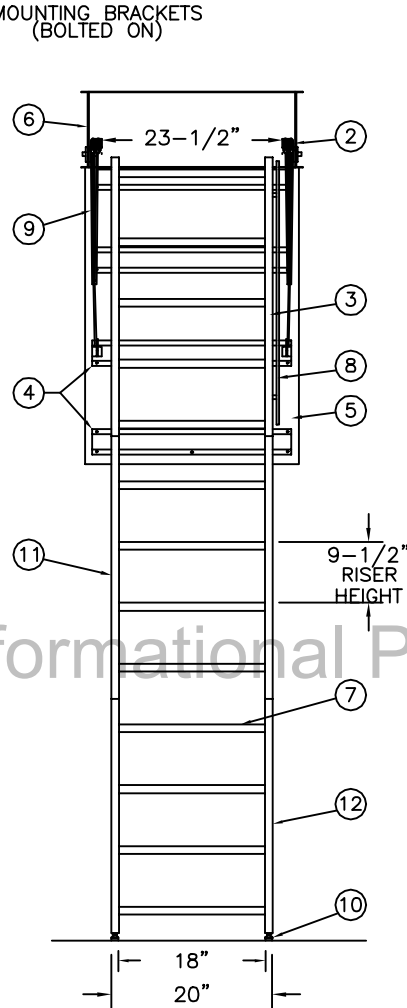
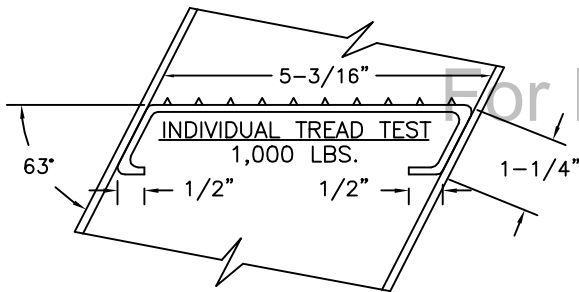
# SUPER SIMPLEX DISAPPEARING STAIRWAY WITH NON-RATED ALUMINUM DOOR

(USE THIS DRAWING FOR CEILING HEIGHTS 9'-9" OR LESS)

TOP STEP  
LOCATED AT  
ONE INCH  
BELOW BOTTOM  
OF FRAME



**STANDARD BOX FRAME**  
FABRICATED FROM 1/8" STEEL  
THIS DRAWING ACCOMODATES FRAME DEPTHS FROM 6" TO 11".



CEILING HEIGHT	X (CLEARANCE)
7'-1" to 8'-0"	13"
8'-1" to 8'-9"	14-1/2"
8'-10" to 9'-9"	22"

## NOTES

IF FLOOR ABOVE IS MORE THAN 12" ABOVE CEILING LINE, 63 DEGREE ANGLE FRAME IS RECOMMENDED.

DIMENSIONS ON THIS DRAWING PERTAIN ONLY TO CEILING HEIGHTS 9'-9" OR LESS AND LESS THAN A 12" FRAME.

SHIPS COMPLETELY ASSEMBLED AS ONE UNIT.

## LADDER LEGEND

- |                           |                              |
|---------------------------|------------------------------|
| 1. STEEL PIANO DOOR HINGE | 7. TREAD (SERRATED ALUM.)    |
| 2. DOUBLE SPRING ACTION   | 8. HANDRAIL RIGHT SIDE ONLY  |
| 3. SIDE RUNNER 5" ALUM.   | 9. EXTRA HEAVY OPERATING ARM |
| 4. BATTEN 1/8" ALUM.      | 10. ADJUSTABLE FOOT          |
| 5. DOOR PANEL 1/8" ALUM.  | 11. MIDDLE SECTION           |
| 6. STEEL BOX FRAME        | 12. BOTTOM SECTION           |

NOT TO SCALE

PSS1117-B-30



P. O. Box 2279  
Morristown, TN 37816  
Ph: (423) 586-2265  
Fax: (423) 586-2091  
www.PrecisionStairways.com

DWG. CHECK	ARCHT' OR ENG'R.	PROJECT		PRECISION REP
BUILT BY:	PURCHASE ORDER	REVISION	PURCHASER	SERIAL#
CHECKED BY:	DRAWN BY: DNH	DATE: 4/25/22	MODEL# PSS1	QTY.