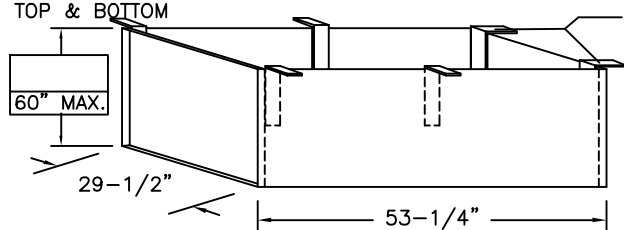


# SUPER SIMPLEX DISAPPEARING STAIRWAY WITH NON-RATED ALUMINUM DOOR

ONE INCH FLANGE  
ALL AROUND  
TOP & BOTTOM

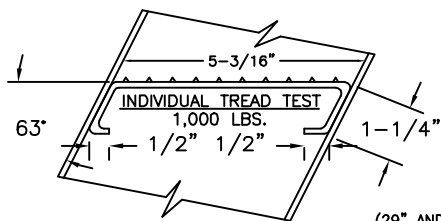
(USE THIS DRAWING FOR CEILING HEIGHTS 9'-9" OR LESS)



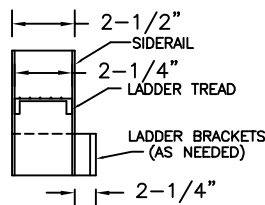
30" x 54" REQUIRED  
ROUGH OPENING IN CEILING

## SPECIAL DEEP BOX FRAME

1/8" STEEL, TO CONTAIN ALUMINUM SUPER SIMPLEX FOLDING STAIRWAY CUT FOR EXACT FINISHED CEILING HEIGHT. THIS FRAME, WITH FACTORY INSTALLED BUILT-IN TREADS, PROVIDES STEPS FROM THE DROPPED-CEILING LINE TO THE UPPER FLOOR.



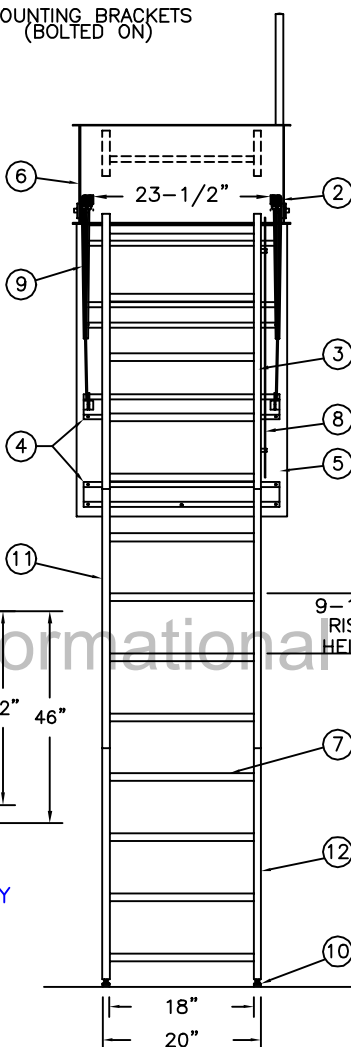
(29" AND UNDER: 1 POST  
30" AND OVER: 2 POSTS)



FRAME LADDER  
DETAIL

1-1/4" SCH 40  
ALUMINUM PIPE  
HANDRAILS  
(6005-T5)

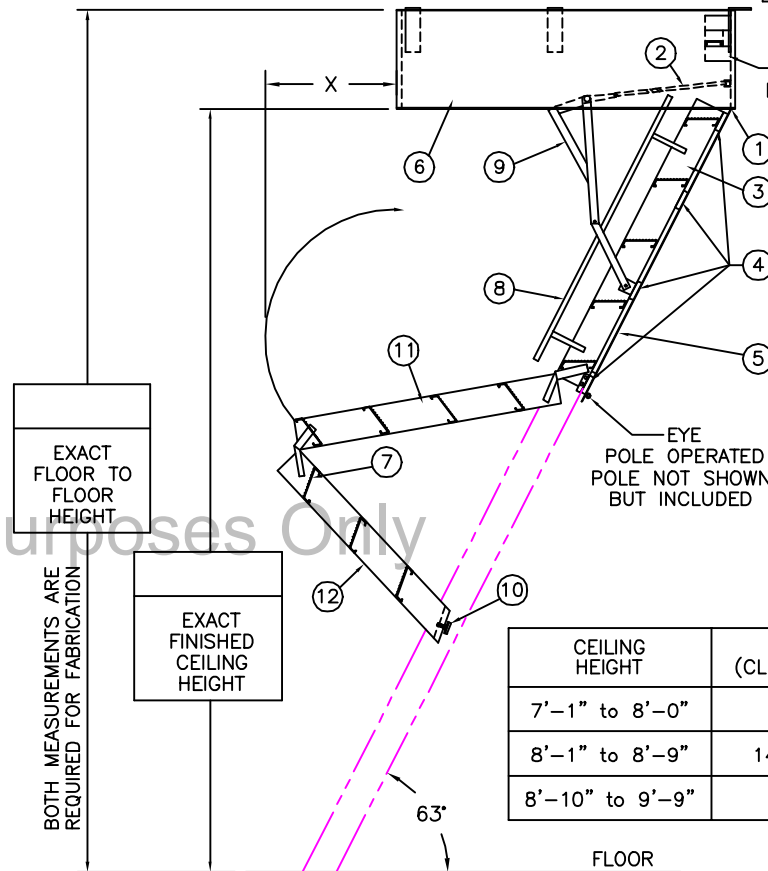
BOX FRAME SAFETY  
POST DETAIL



TOP STEP  
LOCATED AT  
ONE INCH  
BELOW BOTTOM  
OF FRAME

(SAFETY POST NOT  
SHOWN FOR CLARITY)

SEE FRAME  
LADDER  
DETAIL



EXACT FLOOR TO  
FLOOR  
HEIGHT

EXACT  
FINISHED  
CEILING  
HEIGHT

BOTH MEASUREMENTS ARE  
REQUIRED FOR FABRICATION

— EYE  
POLE OPERATED  
POLE NOT SHOWN  
BUT INCLUDED

CEILING HEIGHT	X (CLEARANCE)
7'-1" to 8'-0"	13"
8'-1" to 8'-9"	14-1/2"
8'-10" to 9'-9"	22"

LOAD RATING - 500 LBS.

## NOTES

IF FLOOR ABOVE IS MORE THAN 12" ABOVE CEILING LINE, 63 DEGREE ANGLE FRAME IS RECOMMENDED.

DIMENSIONS ON THIS DRAWING PERTAIN ONLY TO CEILING HEIGHTS 9'-9" OR LESS.

SHIPS COMPLETELY ASSEMBLED AS ONE UNIT

NOT TO SCALE

## LADDER LEGEND

- |                           |                             |                              |
|---------------------------|-----------------------------|------------------------------|
| 1. STEEL PIANO DOOR HINGE | 5. INSULATED STEEL DOOR     | 9. EXTRA HEAVY OPERATING ARM |
| 2. DOUBLE SPRING ACTION   | 6. STEEL BOX FRAME          | 10. ADJUSTABLE FOOT          |
| 3. SIDE RUNNER 5" ALUM.   | 7. TREAD (SERRATED ALUM.)   | 11. MIDDLE SECTION           |
| 4. BATTEN 1/8" ALUM.      | 8. HANDRAIL RIGHT SIDE ONLY | 12. BOTTOM SECTION           |
|                           |                             | 13. BOX FRAME SAFETY POST    |

PSS1117-BD-30



P. O. Box 2279  
Morristown, TN 37816  
Ph: (423) 586-2265  
Fax: (423) 586-2091  
www.PrecisionStairways.com

DWG. CHECK	ARCH'T OR ENGR.	PROJECT	PRECISION REP
BUILT BY:	PURCHASE ORDER	REVISION	PURCHASER
CHECKED BY:	DRAWN BY: DNH	DATE: 4/25/22	MODEL#: PSS1
		QTY.	SERIAL#