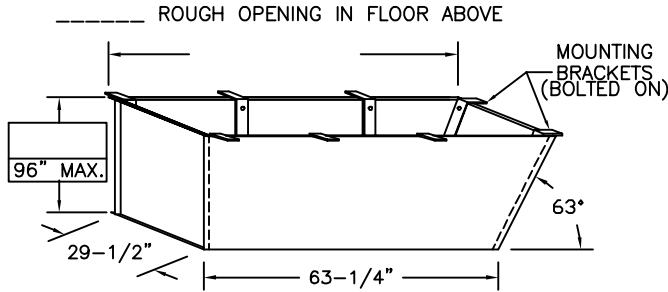


SUPER SIMPLEX DISAPPEARING STAIRWAY WITH NON-RATED ALUMINUM DOOR

(USE THIS DRAWING FOR CEILING HEIGHTS BETWEEN 9'-10" TO 12'-0")

ONE INCH FLANGE
ALL AROUND
TOP & BOTTOM

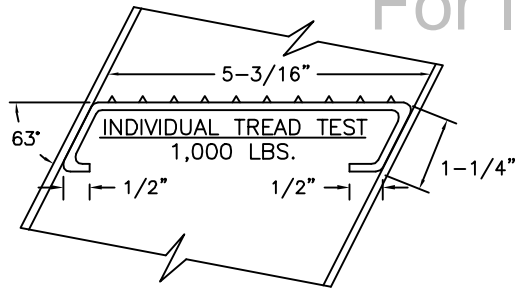
TOP STEP
LOCATED AT
ONE INCH
BELOW BOTTOM
OF FRAME



30" x 64" REQUIRED
ROUGH OPENING IN CEILING

SPECIAL DEEP FRAME

1/8" STEEL, 63 DEGREE ANGLE ONE END, 90 DEGREE OTHER END, TO CONTAIN SUPER SIMPLEX FOLDING STAIRWAY CUT FOR EXACT FINISHED CEILING HEIGHT. THIS FRAME, WITH FACTORY INSTALLED BUILT-IN TREADS, PROVIDES STEPS FROM THE DROPPED-CEILING LINE TO THE UPPER FLOOR.

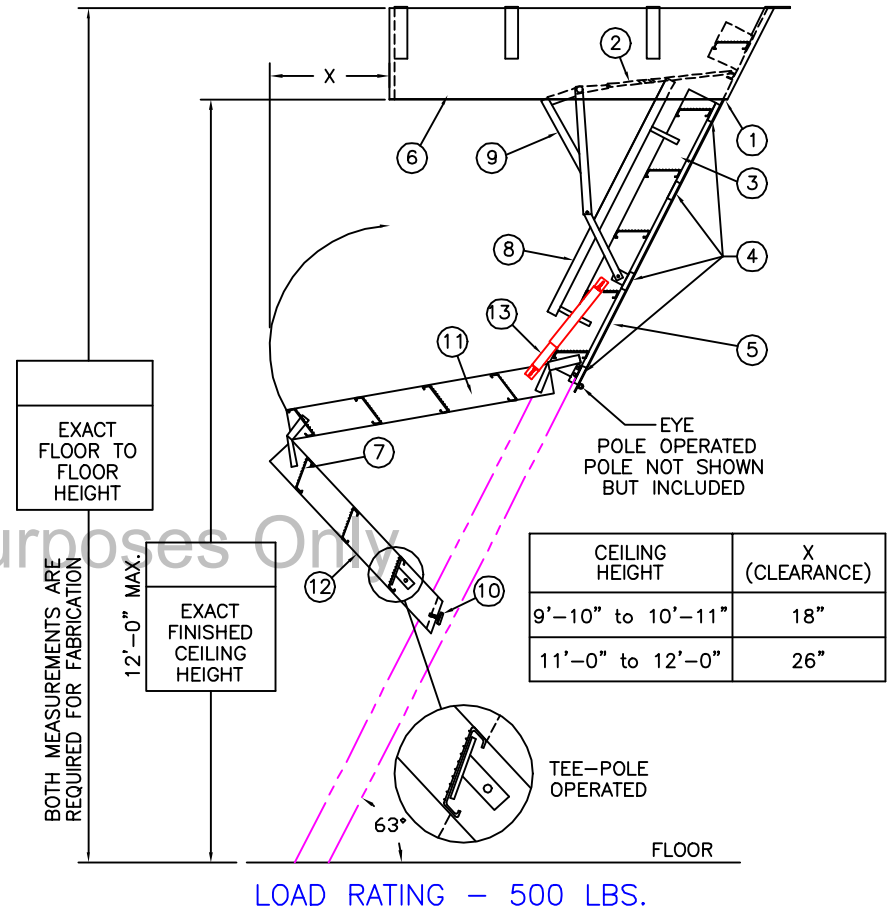
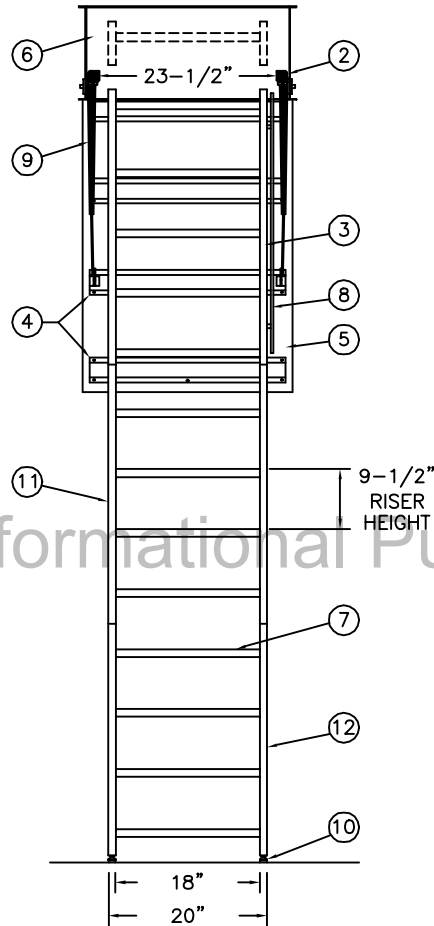


NOTES

DIMENSIONS ON THIS DRAWING PERTAIN ONLY TO CEILING HEIGHTS OVER 9'-9".

MANUFACTURER RECOMMENDS THAT 2 PEOPLE OPEN/CLOSE UNITS INSTALLED IN CEILINGS 11' & OVER.

SHIPS COMPLETELY ASSEMBLED AS ONE UNIT



LADDER LEGEND

- STEEL PIANO DOOR HINGE
- DOUBLE SPRING ACTION
- SIDE RUNNER 5" ALUM.
- BATTEN 1/8" ALUM.
- DOOR PANEL 1/8" ALUM.
- STEEL ANGLE FRAME
- TREAD (SERRATED ALUM.)
- HANDRAIL RIGHT SIDE ONLY
- EXTRA HEAVY OPERATING ARM
- ADJUSTABLE FOOT
- MIDDLE SECTION
- BOTTOM SECTION
- FOLD-ASSIST

NOT TO SCALE



P. O. Box 2279
Morristown, TN 37816
Ph: (423) 586-2265
Fax: (423) 586-2091
www.PrecisionStairways.com

DWG. CHECK

BUILT BY:

CHECKED BY:

ARCHT OR ENG'R.

PURCHASE ORDER

DRAWN BY:

DNH

PROJECT

REVISION

DATE

4/25/22

PURCHASER

MODEL#

PSS1

PRECISION REP

SERIAL#

QTY.

PSS1144-A-30