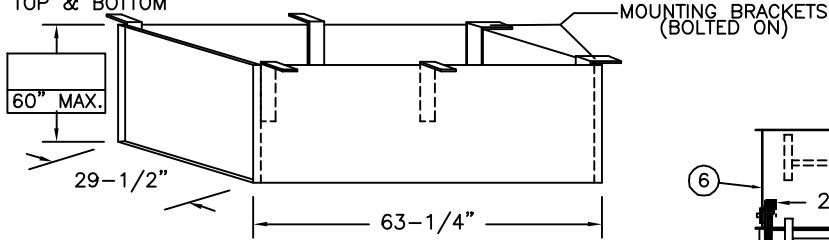


SUPER SIMPLEX DISAPPEARING STAIRWAY WITH NON-RATED ALUMINUM DOOR

(USE THIS DRAWING FOR CEILING HEIGHTS BETWEEN 9'-10" TO 12'-0")

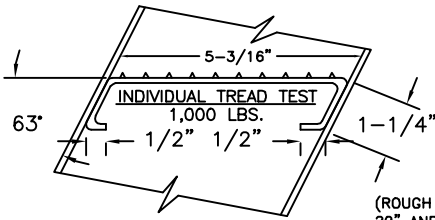
ONE INCH FLANGE
ALL AROUND
TOP & BOTTOM



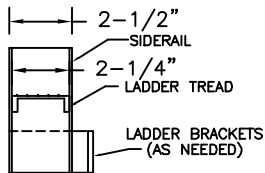
30" x 64" REQUIRED
ROUGH OPENING IN CEILING

SPECIAL DEEP BOX FRAME

1/8" STEEL, TO CONTAIN ALUMINUM SUPER SIMPLEX FOLDING STAIRWAY CUT FOR EXACT FINISHED CEILING HEIGHT. THIS FRAME, WITH FACTORY INSTALLED BUILT-IN TREADS, PROVIDES STEPS FROM THE DROPPED-CEILING LINE TO THE UPPER FLOOR.



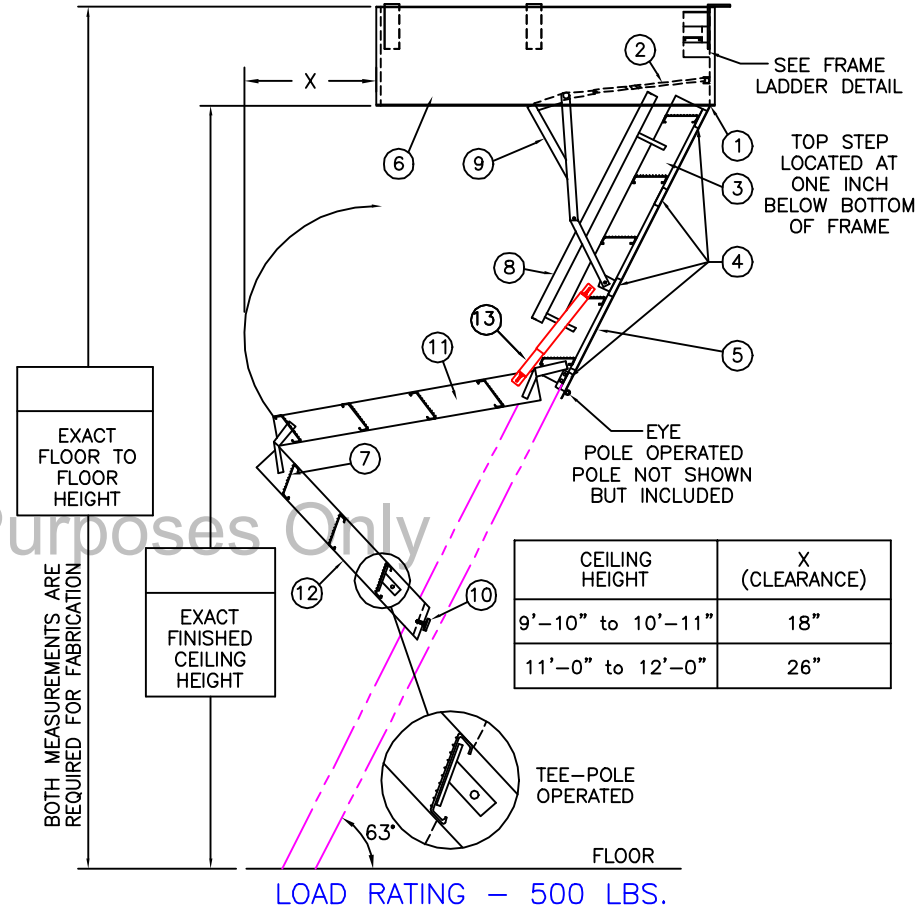
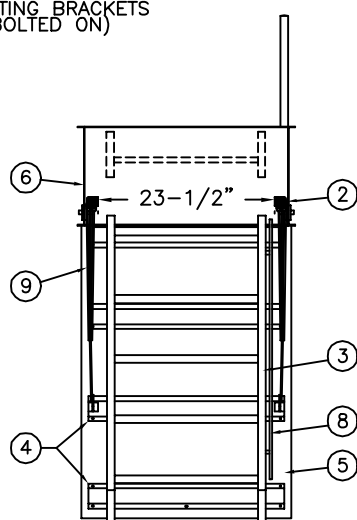
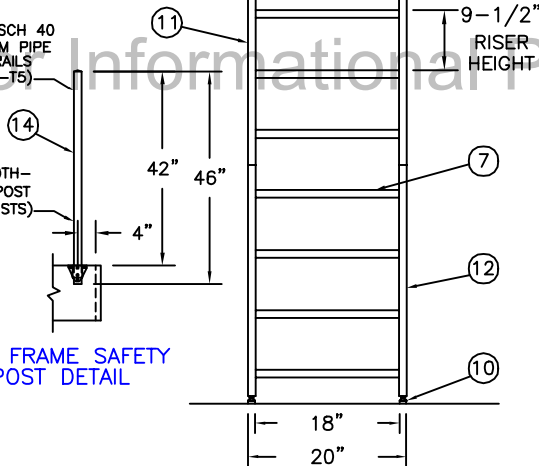
FRAME LADDER
DETAIL



1-1/4" SCH 40
ALUMINUM PIPE
HANDRAILS
(6005-T5)

(ROUGH OPENING WIDTH-
29" AND UNDER: 1 POST
30" AND OVER: 2 POSTS)

BOX FRAME SAFETY
POST DETAIL



CEILING HEIGHT	X (CLEARANCE)
9'-10" to 10'-11"	18"
11'-0" to 12'-0"	26"

NOTES

IF FLOOR ABOVE IS MORE THAN 12" ABOVE CEILING LINE, 63 DEGREE ANGLE FRAME IS RECOMMENDED.

DIMENSIONS ON THIS DRAWING PERTAIN ONLY TO CEILING

SHIPS COMPLETELY ASSEMBLED AS ONE UNIT

LADDER LEGEND

- | | | |
|---------------------------|-----------------------------|-------------------------------|
| 1. STEEL PIANO DOOR HINGE | 5. INSULATED STEEL DOOR | 10. EXTRA HEAVY OPERATING ARM |
| 2. DOUBLE SPRING ACTION | 6. STEEL BOX FRAME | 11. ADJUSTABLE FOOT |
| 3. SIDE RUNNER 5" ALUM. | 7. TREAD (SERRATED ALUM.) | 12. MIDDLE SECTION |
| 4. BATTEN 1/8" ALUM. | 8. HANDRAIL RIGHT SIDE ONLY | 13. BOTTOM SECTION |
| | 9. FOLD ASSIST | 14. BOX FRAME SAFETY POST |

NOT TO SCALE

PSS1144-BD-30



P. O. Box 2279
Morristown, TN 37816
Ph: (423) 586-2265
Fax: (423) 586-2091
www.PrecisionStairways.com

DWG. CHECK	ARCHT OR ENGR.	PROJECT		PRECISION REP
BUILT BY:	PURCHASE ORDER	REVISION	PURCHASER	SERIAL#
CHECKED BY:	DRAWN BY: DNH	DATE: 4/25/22	MODEL# PSS1	QTY.