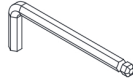


## SUGGESTED TOOLS AND MATERIALS



Tape Measure

## PARTS INCLUDED



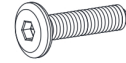
1x



7x



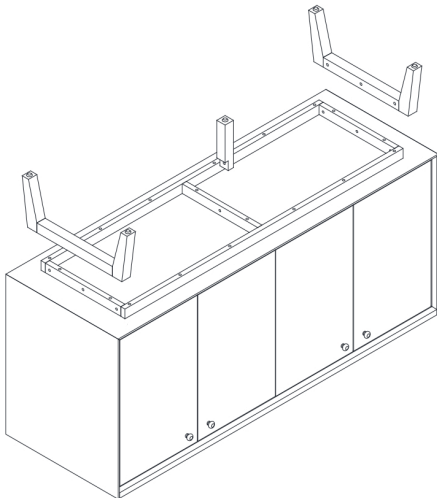
7x



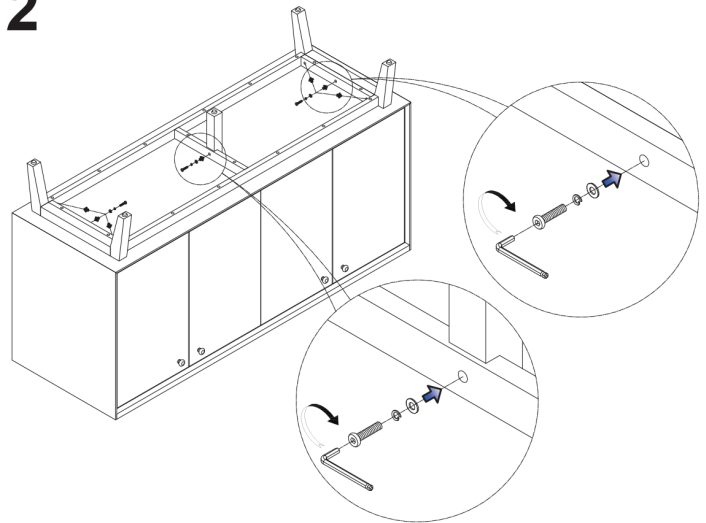
7x

## INSTALLATION INSTRUCTIONS

1



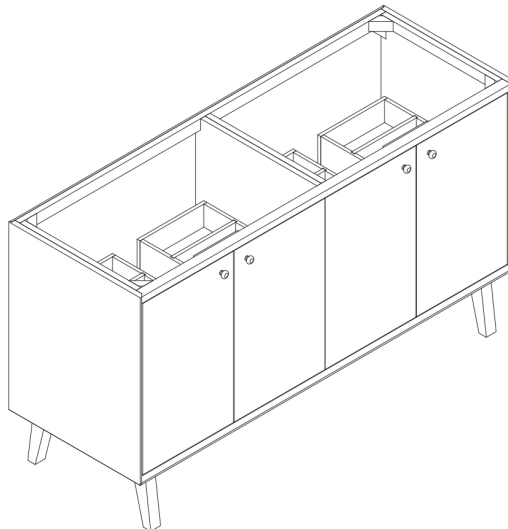
2



Remove vanity and foot from boxes and examine for any defects or damage.

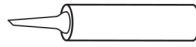
Please assemble this item on a clean, soft surface floor to prevent damage.

3



Finished. Install vanity top according to manufacturer's directions.

SUGGESTED TOOLS AND MATERIALS



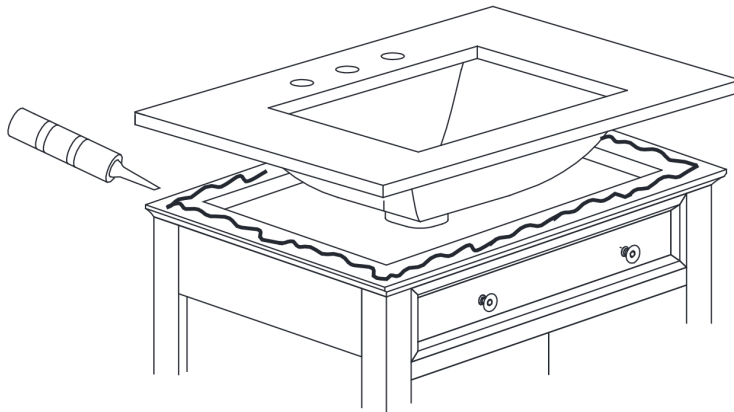
Sealant



Tape Measure

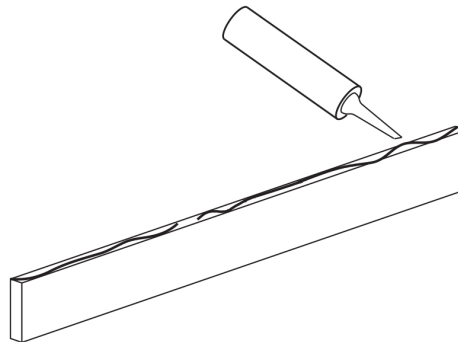
VANITY TOP INSTALLATION

1



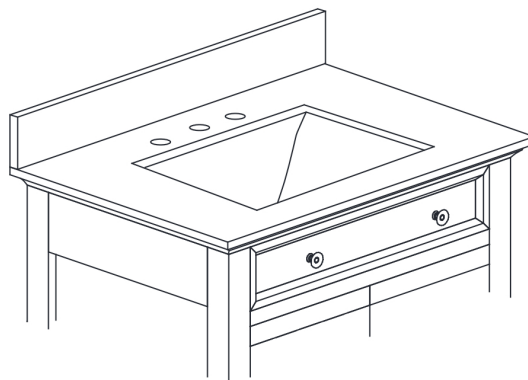
Apply bead of quality sealant evenly along the top of the vanity.

2



Apply silicone sealant evenly along the bottom and backside of backplash.

3



Finally, place the bottom side of back splash with sealant onto the countertop and check alignment of back splash. Adjust the leg levelers as needed

**\*\*NOTE:** Sink style, shape, cutout on top, vanity may vary from the picture above. Instructional purposes only. \*\*