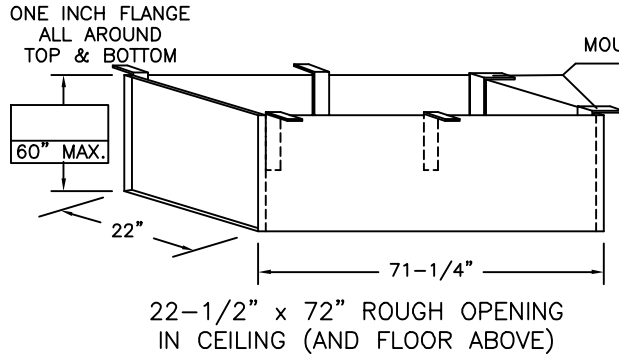


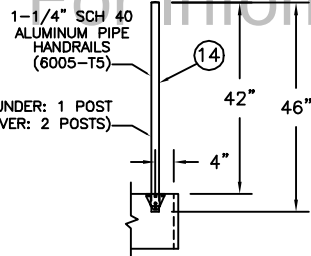
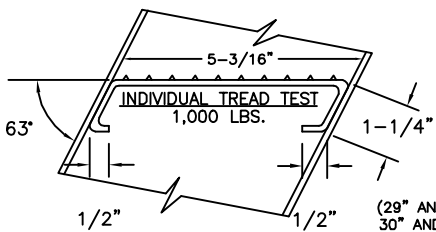
# SUPER SIMPLEX DISAPPEARING STAIRWAY WITH NON-RATED ALUMINUM DOOR

(USE THIS DRAWING FOR CEILING HEIGHTS FROM 12'-1" TO 13' -6")

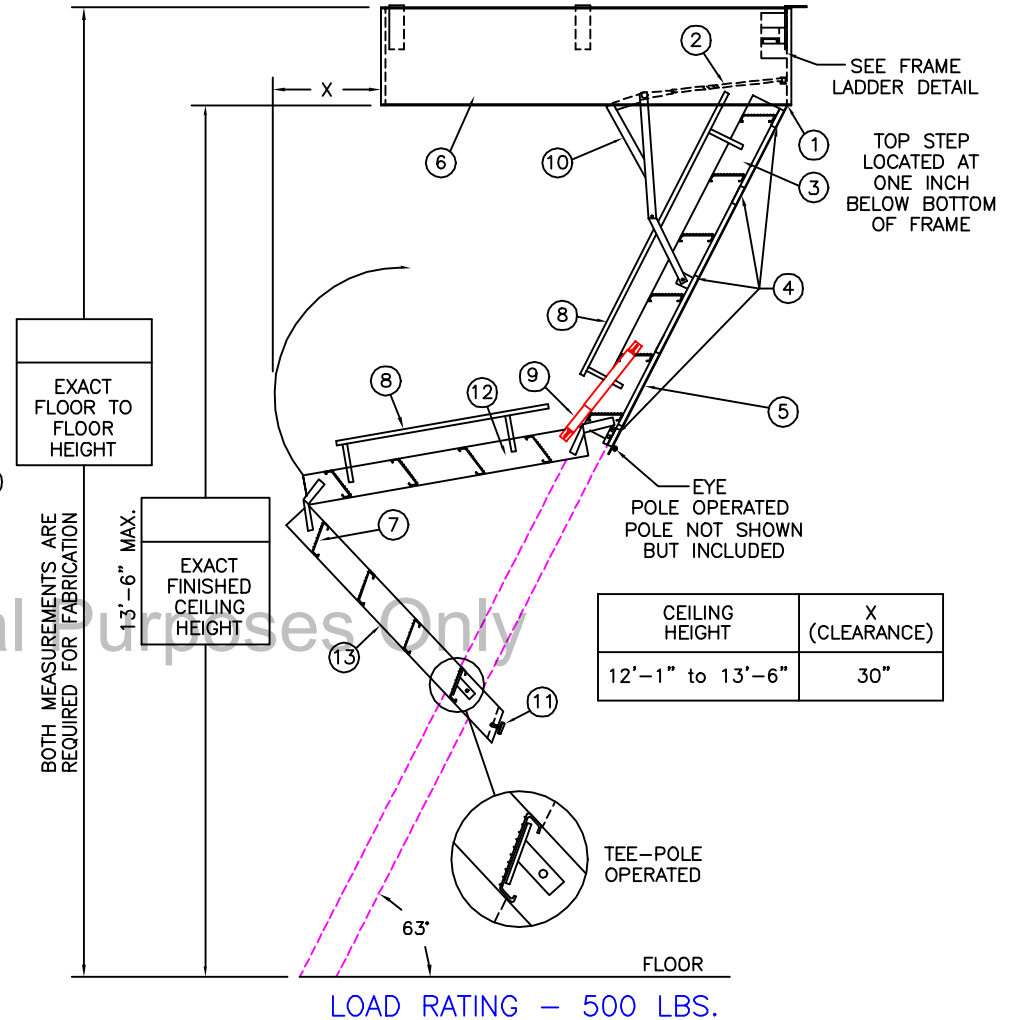
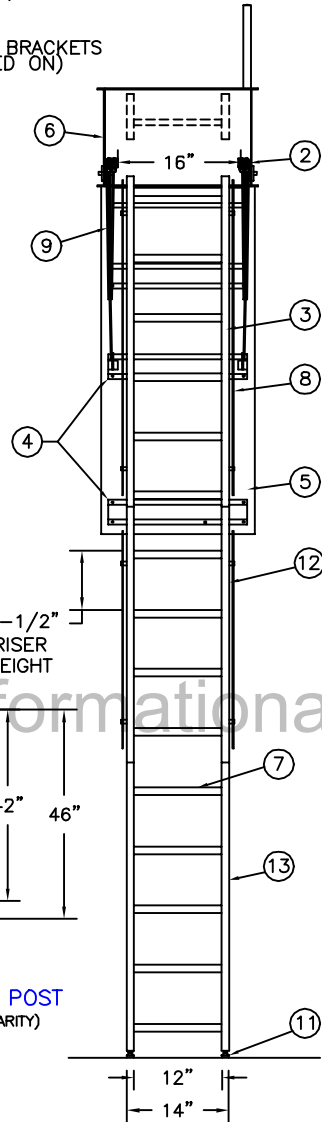
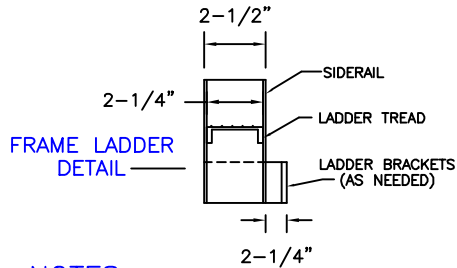


## SPECIAL DEEP BOX FRAME

1/8" STEEL, TO CONTAIN ALUMINUM SUPER SIMPLEX FOLDING STAIRWAY CUT FOR EXACT FINISHED CEILING HEIGHT. THIS FRAME, WITH FACTORY INSTALLED BUILT-IN TREADS, PROVIDES STEPS FROM THE DROPPED-CEILING LINE TO THE UPPER FLOOR.



**BOX FRAME SAFETY POST**  
(NOT IN SIDE VIEW FOR CLARITY)



## NOTES

DIMENSIONS ON THIS DRAWING PERTAIN ONLY TO CEILING HEIGHTS OVER 12'-0".  
MANUFACTURER RECOMMENDS 2 PEOPLE TO OPEN/CLOSE SHIPS COMPLETELY ASSEMBLED AS ONE UNIT

## LADDER LEGEND

- |                           |                           |                               |
|---------------------------|---------------------------|-------------------------------|
| 1. STEEL PIANO DOOR HINGE | 5. INSULATED STEEL DOOR   | 10. EXTRA HEAVY OPERATING ARM |
| 2. DOUBLE SPRING ACTION   | 6. STEEL BOX FRAME        | 11. ADJUSTABLE FOOT           |
| 3. SIDE RUNNER 5" ALUM.   | 7. TREAD (SERRATED ALUM.) | 12. MIDDLE SECTION            |
| 4. BATTEN 1/8" ALUM.      | 8. HANDRAIL BOTH SIDES    | 13. BOTTOM SECTION            |
|                           | 9. FOLD ASSIST            | 14. BOX FRAME SAFETY POST     |

NOT TO SCALE

PSS2162-BD-22.5



P. O. Box 2279  
Morristown, TN 37816  
Ph: (423) 586-2265  
Fax: (423) 586-2091  
www.PrecisionStairways.com

DWG. CHECK

BUILT BY:

CHECKED BY:

ARCH'T OR ENG'R.

PURCHASE ORDER

DRAWN BY:

DNH

PROJECT

REVISION

DATE

4/25/22

PURCHASER

MODEL#

PSS2

PRECISION REP

SERIAL#

QTY.