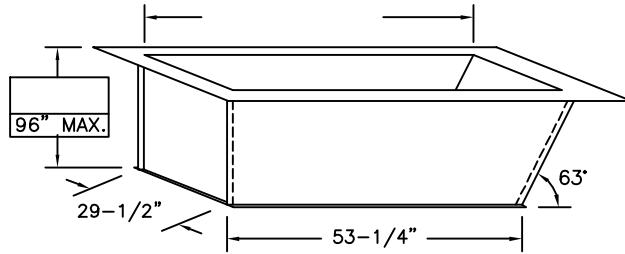


# SUPER SIMPLEX DISAPPEARING STAIRWAY WITH NON-RATED ALUMINUM DOOR

(USE THIS DRAWING FOR CEILING HEIGHTS 9'-9" OR LESS)

FIVE INCH FLANGE AROUND TOP  
ONE INCH FLANGE AROUND BOTTOM

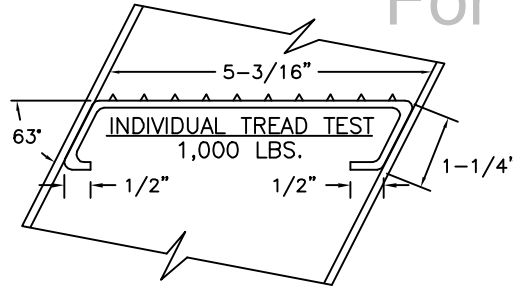
----- ROUGH OPENING IN FLOOR ABOVE



30" x 54" REQUIRED  
ROUGH OPENING IN CEILING

## SPECIAL DEEP FRAME

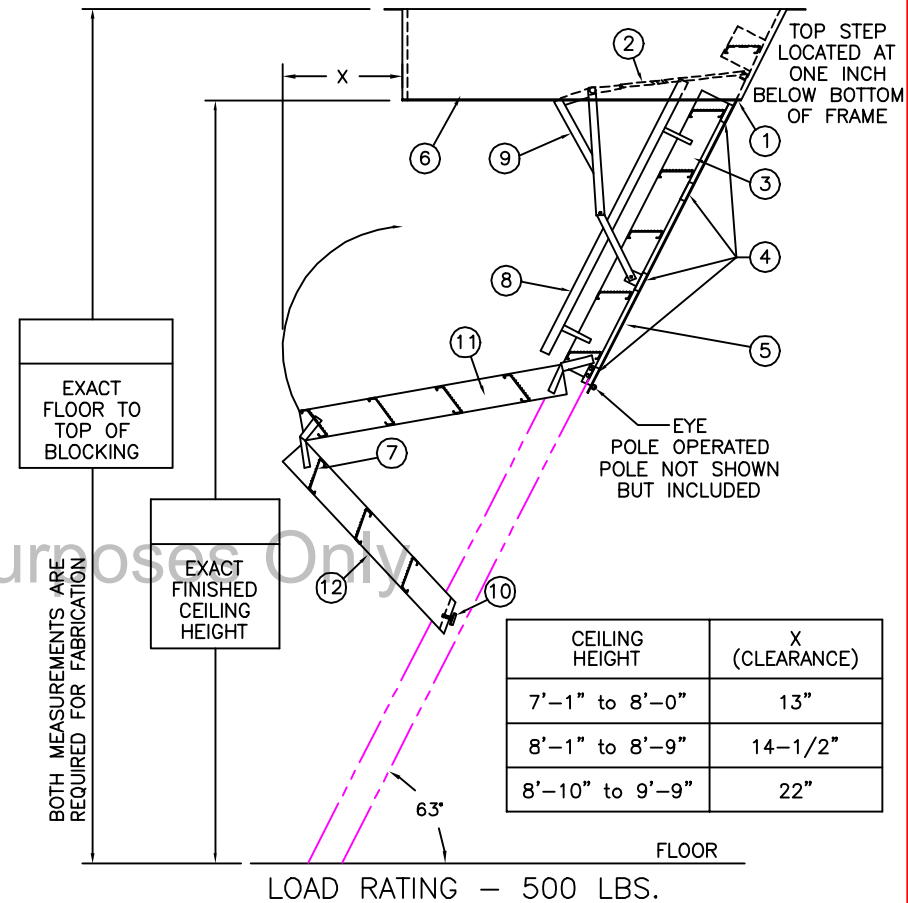
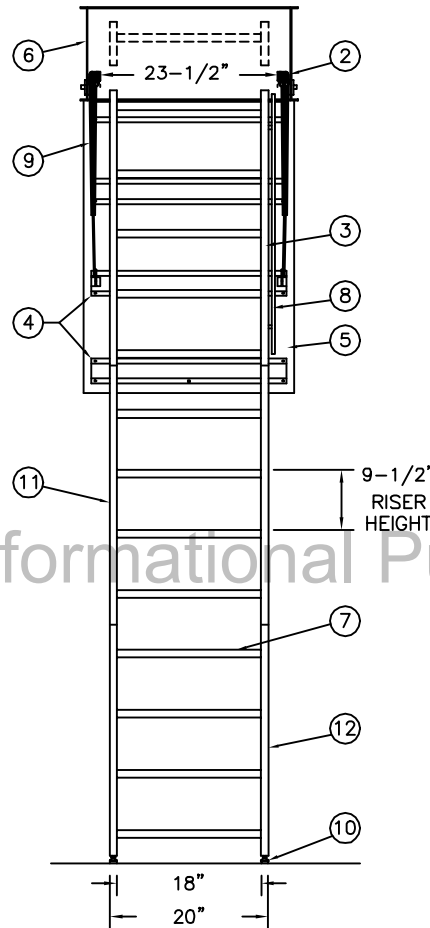
1/8" STEEL, 63 DEGREE ANGLE ONE END, 90 DEGREE OTHER END, TO CONTAIN SUPER SIMPLEX FOLDING STAIRWAY CUT FOR EXACT FINISHED CEILING HEIGHT. THIS FRAME, WITH FACTORY INSTALLED BUILT-IN TREADS, PROVIDES STEPS FROM THE DROPPED-CEILING LINE TO THE UPPER FLOOR.



## NOTES

DIMENSIONS ON THIS DRAWING PERTAIN ONLY TO CEILING HEIGHTS 9'-9" OR LESS.

SHIPS COMPLETELY ASSEMBLED AS ONE UNIT



CEILING HEIGHT	X (CLEARANCE)
7'-1" to 8'-0"	13"
8'-1" to 8'-9"	14-1/2"
8'-10" to 9'-9"	22"

LOAD RATING - 500 LBS.

## LADDER LEGEND

1. STEEL PIANO DOOR HINGE
2. DOUBLE SPRING ACTION
3. SIDE RUNNER 5" ALUM.
4. BATTEN 1/8" ALUM.
5. DOOR PANEL 1/8" ALUM.
6. STEEL ANGLE FRAME
7. TREAD (SERRATED ALUM.)
8. HANDRAIL RIGHT SIDE ONLY
9. EXTRA HEAVY OPERATING ARM
10. ADJUSTABLE FOOT
11. MIDDLE SECTION
12. BOTTOM SECTION

NOT TO SCALE

PSS1117-AH-30



P. O. Box 2279  
Morristown, TN 37816  
Ph: (423) 586-2265  
Fax: (423) 586-2091  
www.PrecisionStairways.com

DWG. CHECK	ARCH'T OR ENG'R.	PROJECT	PRECISION REP
BUILT BY:	PURCHASE ORDER	REVISION	PURCHASER
CHECKED BY:	DRAWN BY: DNH	DATE: 4/25/22	MODEL# PSS1
		QTY.	SERIAL#