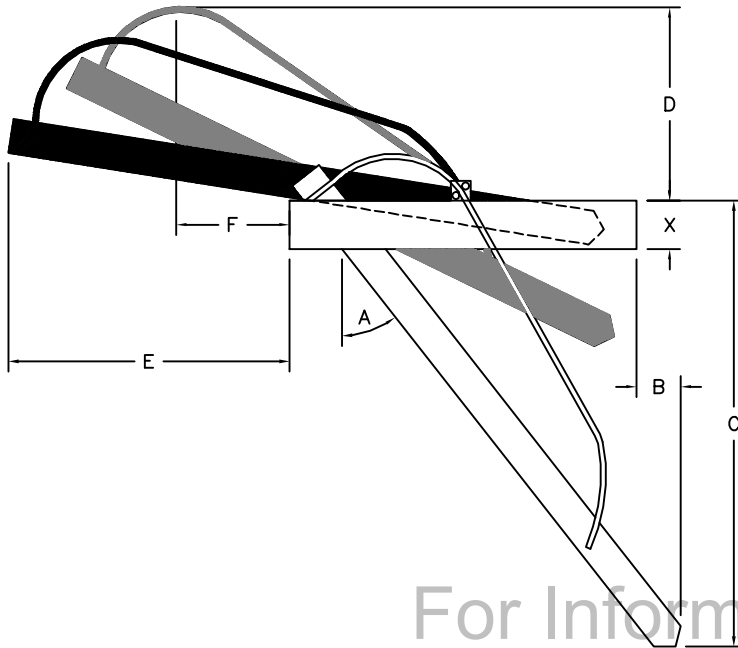


KEY TO PRECISION AUTOMATIC ELECTRIC DISAPPEARING STAIRWAY



ALUMINUM CONSTRUCTION

STANDARD:

ROUGH OPENING IN CEILING 30" X 72"

- ① FRAME 1/8" STEEL X 28-1/2" X 71" X _____
 (USE 52° ANGLE FRAME IF DROPPED CEILING IS 13" OR MORE FOR HEAD CLEARANCE)

EXACT FINISHED CEILING HEIGHT ± 1/2": _____

EXACT FLOOR TO FLOOR DIMENSION ± 1/2": _____

- ② HAND-GUIDE RAILS 1-1/16"OD GALVANIZED
 ③ SEALED BALL BEARINGS
 ④ 1/3 HP 115-VOLT INSTANTLY REVERSIBLE MOTOR DIRECT-CONNECTED TO A REDUCTION GEAR DRIVE, COMPLETE WITH CONTACTORS & PREWIRED TO CONTROL SWITCHES.
 ⑤ STRINGERS 7" X .230" CHANNEL
 ⑥ TREADS 6" X 20-3/16" X .225" CHANNEL COVERED WITH NON-SKID SAFETY TREAD
 ⑦ DOOR PANEL 1/8" SHEET ALUMINUM
 ⑧ BATTERY BACK-UP (NOT SHOWN)
 (USED IN CASE OF POWER FAILURE TO LOWER ONLY)

EACH STAIRWAY IS FACTORY TESTED BEFORE SHIPMENT & IS SHIPPED IN A HEAVY PROTECTIVE CRATE.

OPTIONS-(Check if Required)

KEY SWITCH AT LOWER LEVEL -----

WARNING BUZZER, WHEN STAIR IS IN USE -----


MEASUREMENTS

A	38°
B	-
*C	-
D	-
E	-
F	-
X	-

* MEASURED FROM FLOOR TO FLOOR

NOT TO SCALE

PSAEKEY

	P. O. Box 2279 Morristown, TN 37816 Ph: (423) 586-2265 Fax: (423) 586-2091 www.PrecisionStairways.com		DWG. CHECK	ARCH'T OR ENG'R.	PROJECT		PRECISION REP
	BUILT BY:	PURCHASE ORDER	WORK ORDER	PURCHASER		SERIAL#	
	CHECKED BY:	DRAWN BY: JBR	DATE: 12/23/09	MODEL#	AE-	QTY. 1	