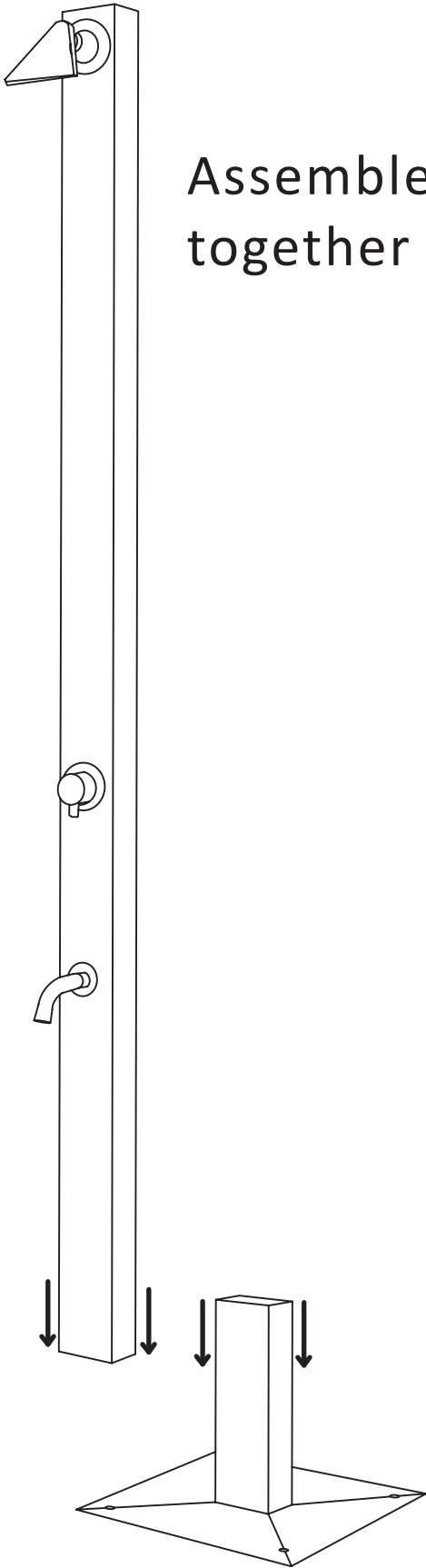


# Outdoor Shower Panel

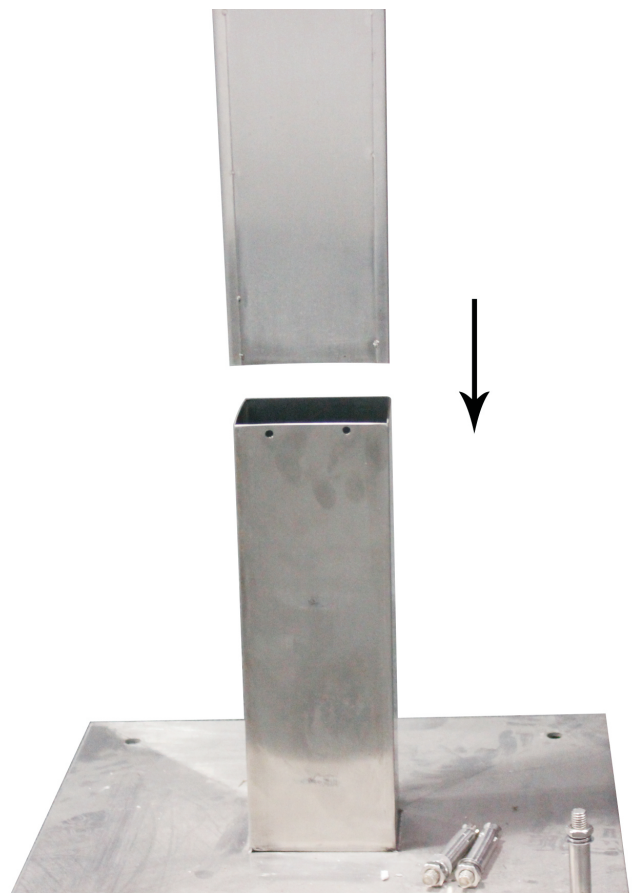
Installation manual



# Step 1

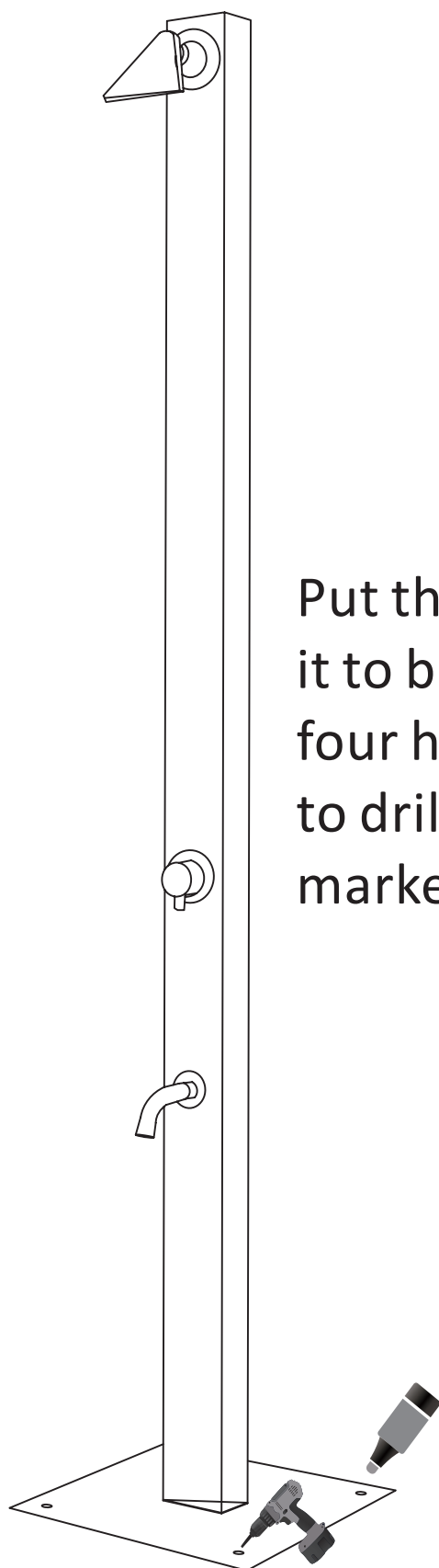


Assemble the main panel and base plate together (see pic 1)



(pic 1)

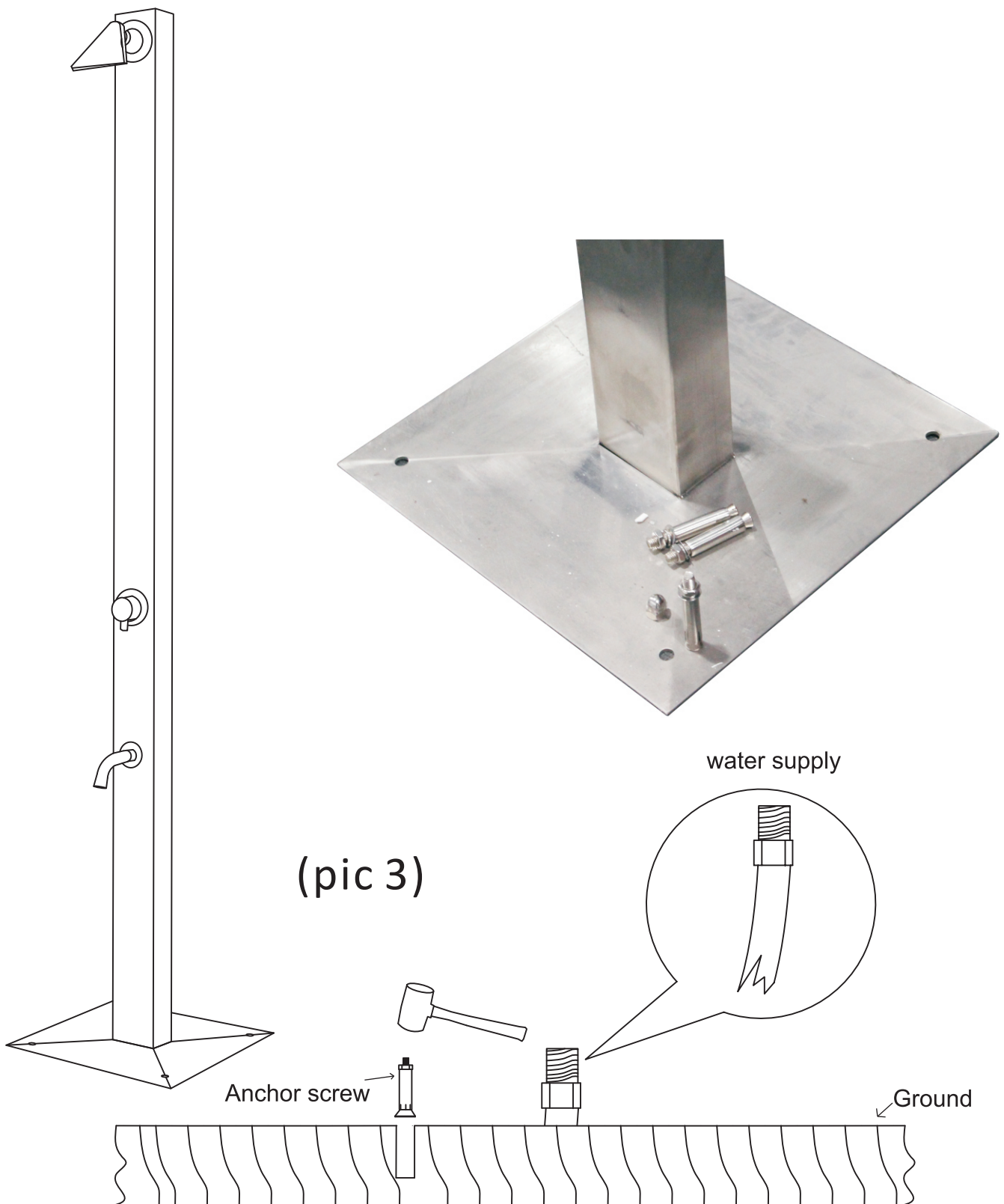
## Step 2



Put the shower panel on where you want it to be fixed, and mark the position of the four holes on the ground. Use electric drill to drill holes on the ground which you've marked. (see pic 2)

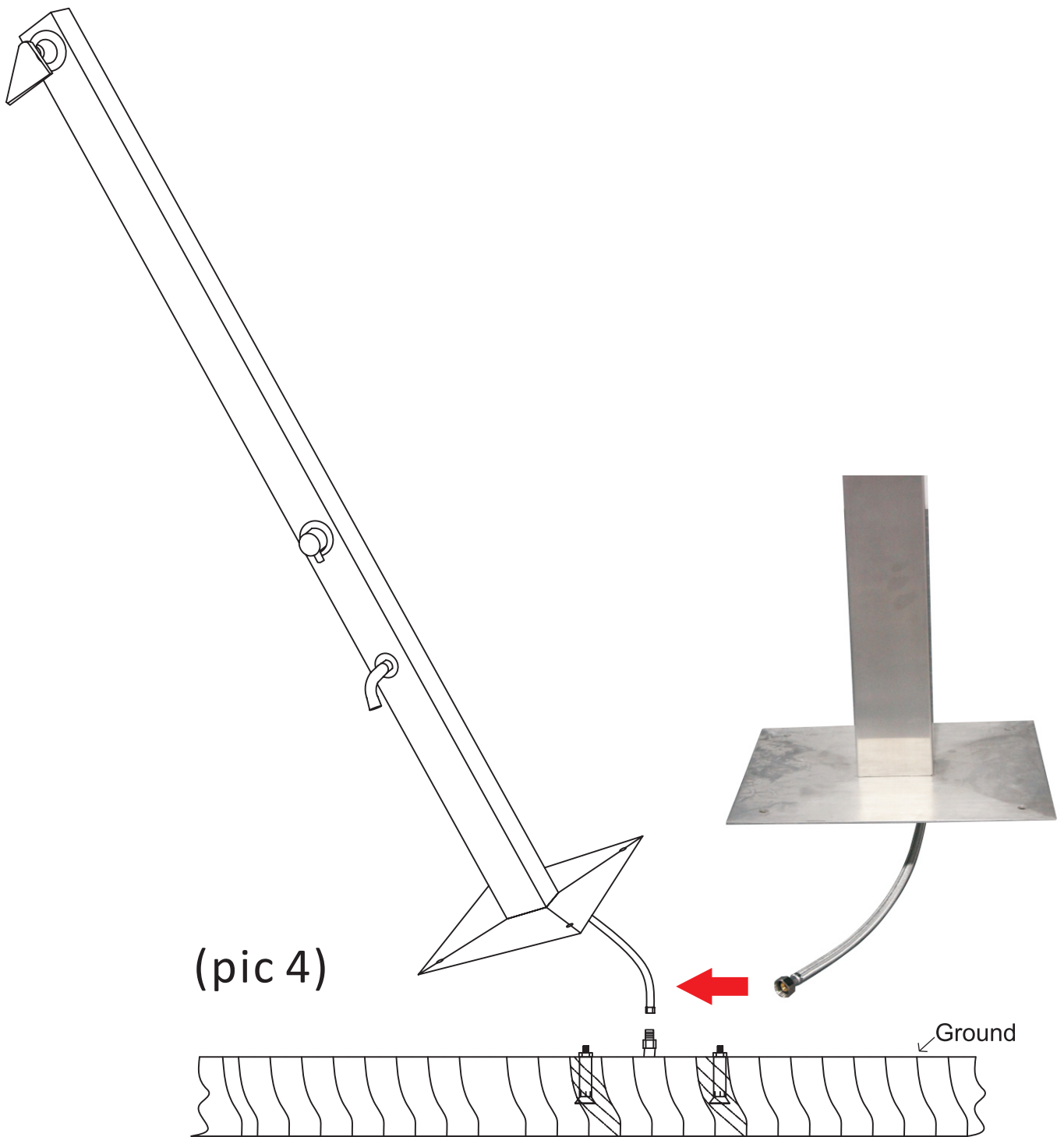
(pic 2)

# Step 3



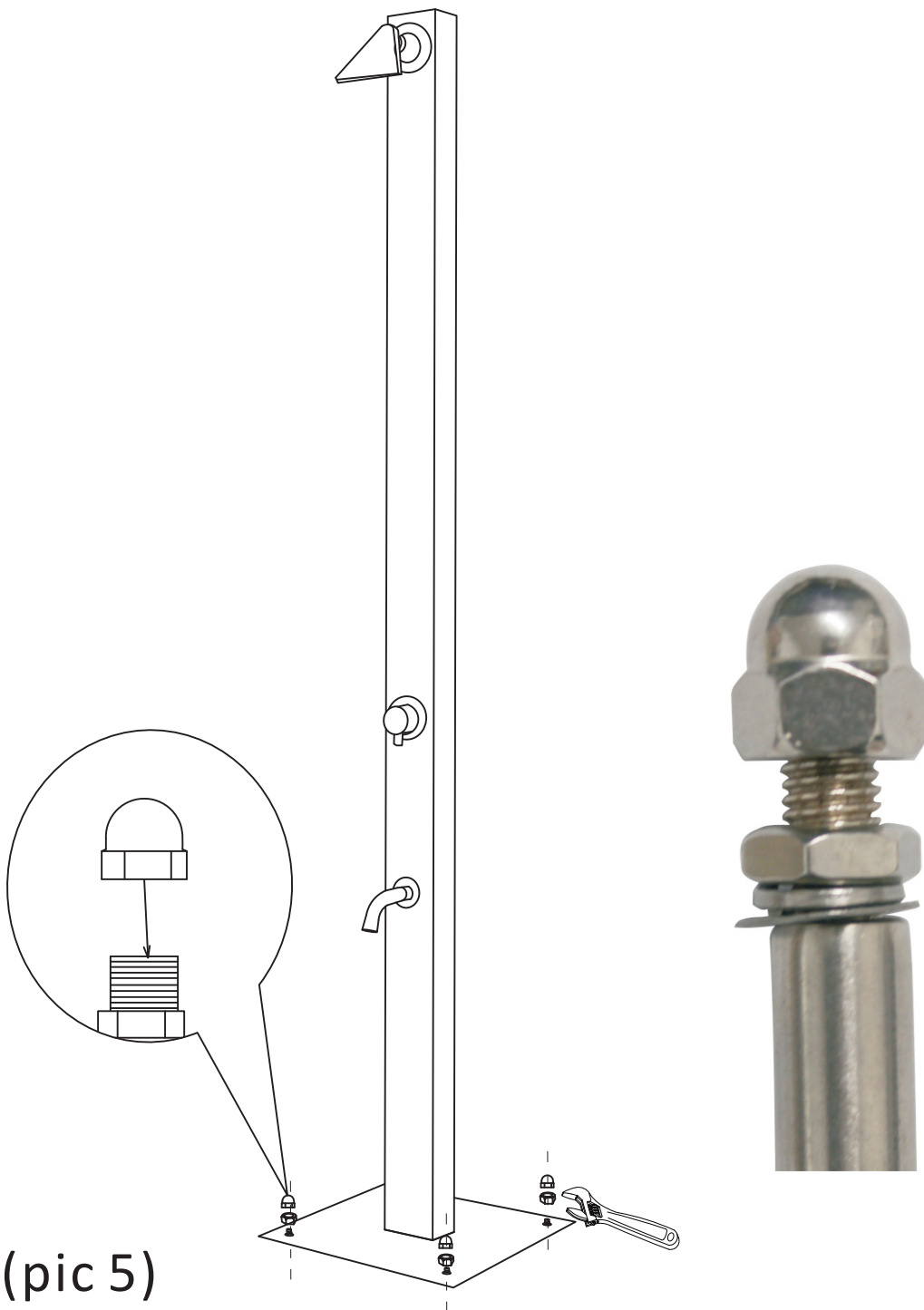
Punch the four anchor screws into the ground,  
(see pic 3) connect the pipe on the ground,.

## Step 4



Then fix the shower panel base plate on the ground properly. connect the braided hose to the floor water outlet(see pic 4)

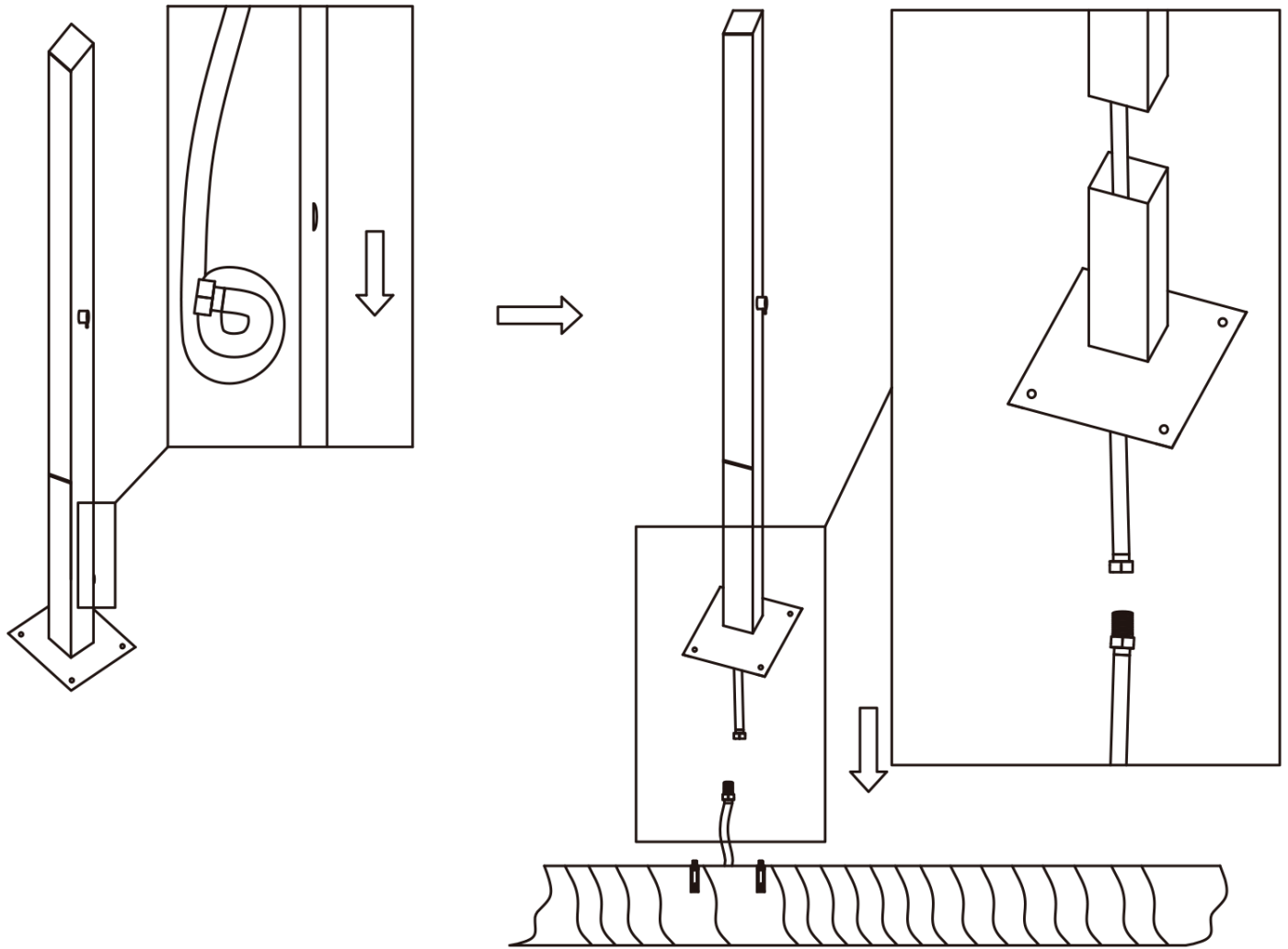
## Step 5



(pic 5)

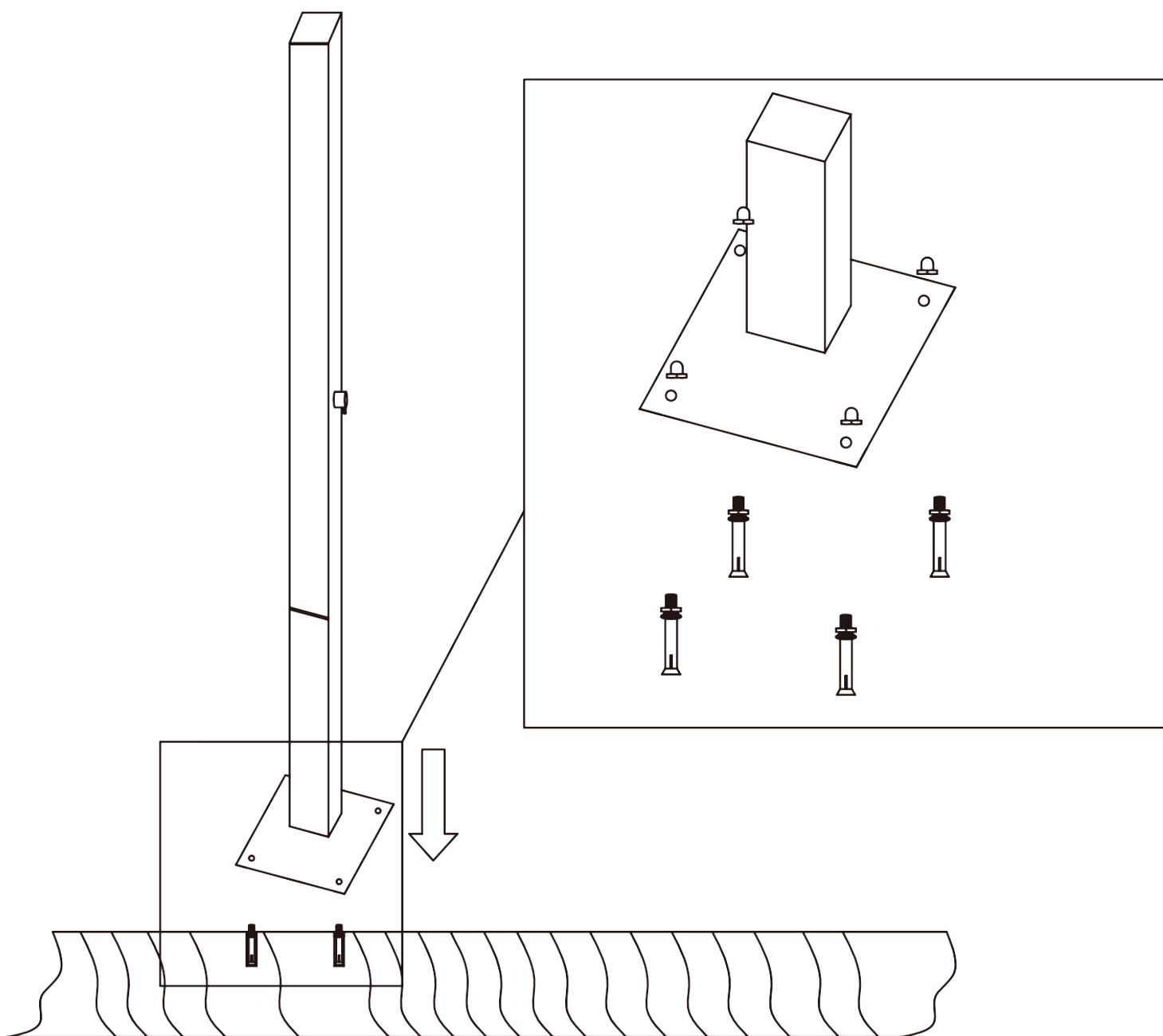
Tight the four nuts and put the protection screw cap(blind nut) onto the anchor screw, then turn on the water supply. And then you can start enjoy the excellent shower. (see pic 5)

## Optional - Step 1



Connect Water supply to ground supply

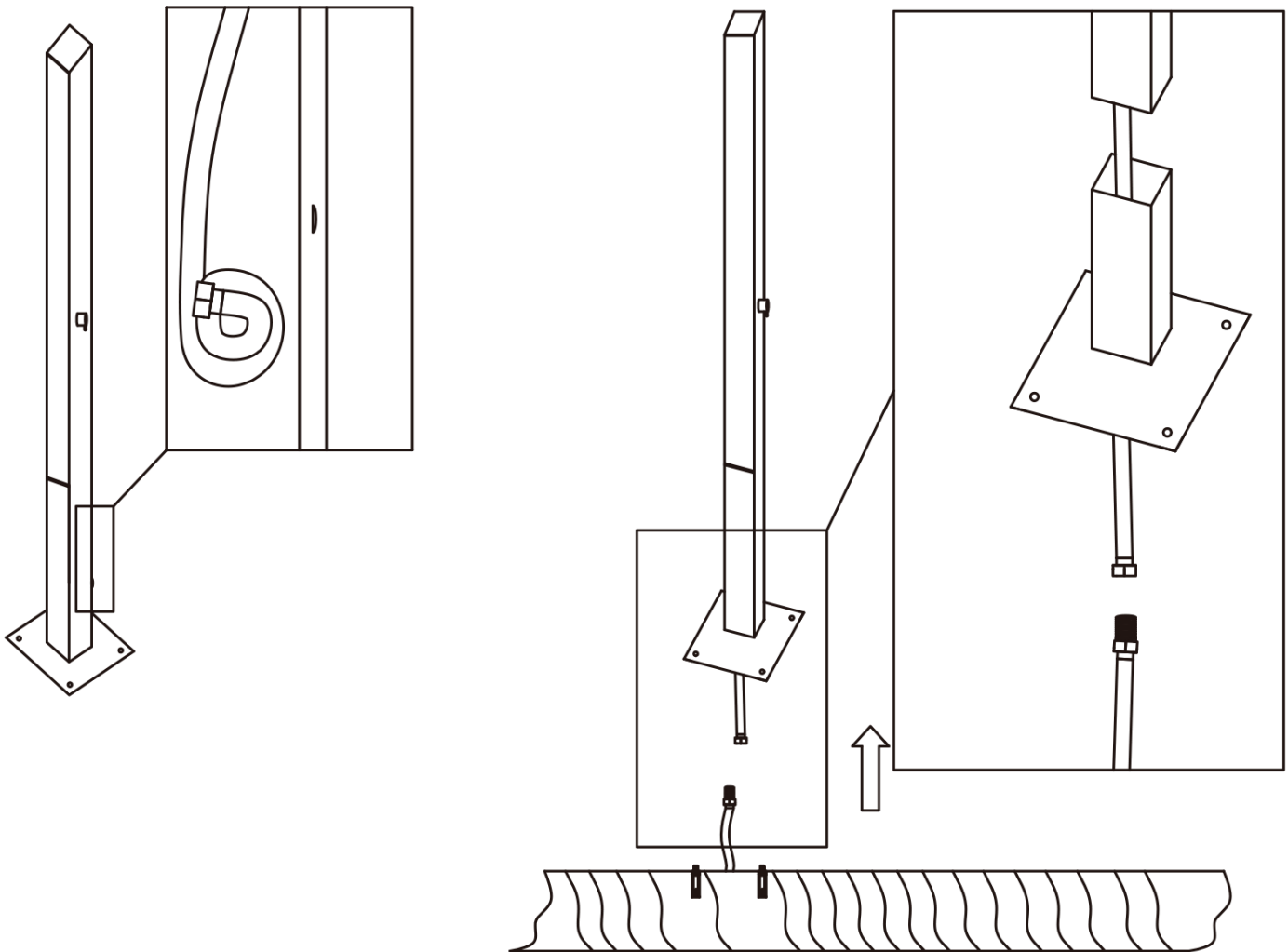
## Optional - Step 2



Screw the metal base to the ground



## Optional - Step 3



Unscrew the inlet supply hose