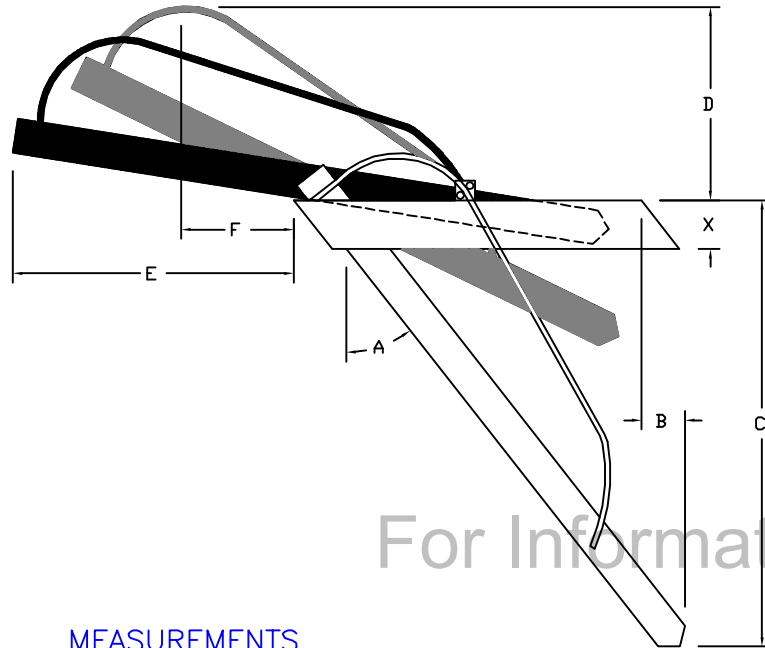


KEY TO PRECISION AUTOMATIC ELECTRIC DISAPPEARING STAIRWAY



MEASUREMENTS

A	38"
B	-
*C	-
D	-
E	-
F	-
X	-

* MEASURED FROM FLOOR TO FLOOR

NOT TO SCALE

ALUMINUM CONSTRUCTION

STANDARD:

ROUGH OPENING IN CEILING 30" X 72"

① FRAME 1/8" STEEL X 28-1/2" X 71" X _____ -
(USE 52° ANGLE FRAME IF DROPPED CEILING IS 13" OR MORE FOR HEAD CLEARANCE)

EXACT FINISHED CEILING HEIGHT ± 1/2": _____ -

EXACT FLOOR TO FLOOR DIMENSION ± 1/2": _____ -

② HAND-GUIDE RAILS 1-1/16"OD GALVANIZED

③ SEALED BALL BEARINGS

④ 1/3 HP 115-VOLT INSTANTLY REVERSIBLE MOTOR DIRECT-CONNECTED TO A REDUCTION GEAR DRIVE, COMPLETE WITH CONTACTORS & PREWIRED TO CONTROL SWITCHES.

⑤ STRINGERS 7" X .230" CHANNEL

⑥ TREADS 6" X 20-3/16" X .225" CHANNEL COVERED WITH NON-SKID SAFETY TREAD

⑦ DOOR PANEL 1/8" SHEET ALUMINUM

⑧ BATTERY BACK-UP (NOT SHOWN)
(USED IN CASE OF POWER FAILURE TO LOWER ONLY)

EACH STAIRWAY IS FACTORY TESTED BEFORE SHIPMENT & IS SHIPPED IN A HEAVY PROTECTIVE CRATE.

OPTIONS-(Check if Required)

KEY SWITCH AT LOWER LEVEL -----

WARNING BUZZER, WHEN STAIR IS IN USE -----



P. O. Box 2279
Morristown, TN 37816
Ph: (423) 586-2265
Fax: (423) 586-2091
www.PrecisionStairways.com

DWG. CHECK	ARCH'T OR ENG'R.	PROJECT		PRECISION REP
BUILT BY:	PURCHASE ORDER	WORK ORDER	PURCHASER	SERIAL#
CHECKED BY:	DRAWN BY: JBR	DATE: 12/23/09	MODEL#: AE-	QTY. 1

PSAEKEY