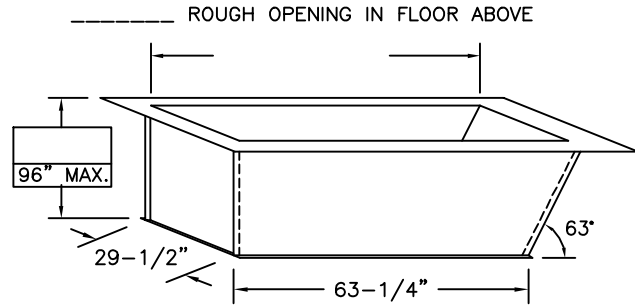


SUPER SIMPLEX DISAPPEARING STAIRWAY WITH NON-RATED ALUMINUM DOOR

(USE THIS DRAWING FOR CEILING HEIGHTS 9'-10" - 12'-0")
 NOTE: BEST IF STAIRWAY IS INSTALLED BEFORE ROOFING AND CEILING ARE IN PLACE

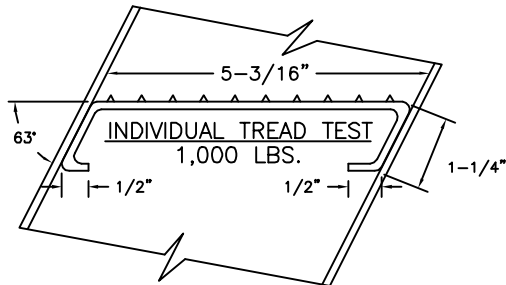
FIVE INCH FLANGE
 ALL AROUND TOP
 ONE INCH FLANGE
 ALL AROUND BOTTOM



30" x 64" REQUIRED
 ROUGH OPENING IN CEILING

SPECIAL DEEP FRAME

1/8" STEEL, 63 DEGREE ANGLE ONE END, 90 DEGREE OTHER END, TO CONTAIN SUPER SIMPLEX FOLDING STAIRWAY CUT FOR EXACT FINISHED CEILING HEIGHT. THIS FRAME, WITH FACTORY INSTALLED BUILT-IN TREADS, PROVIDES STEPS FROM THE DROPPED-CEILING LINE TO THE UPPER FLOOR.

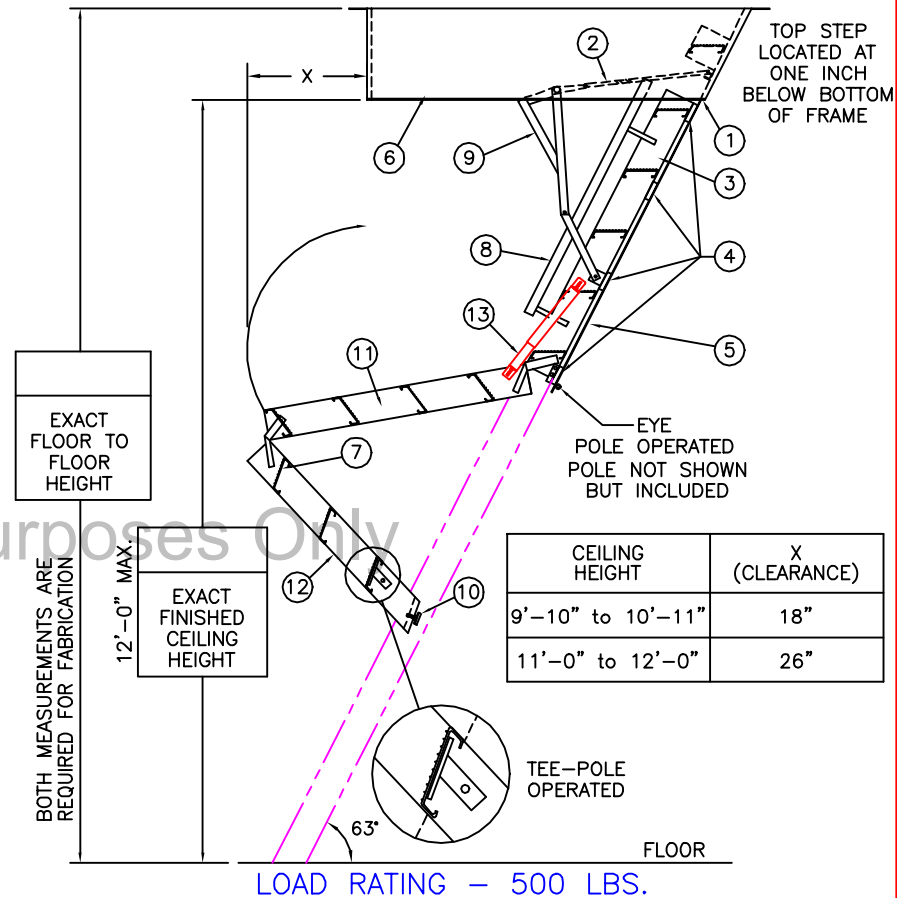
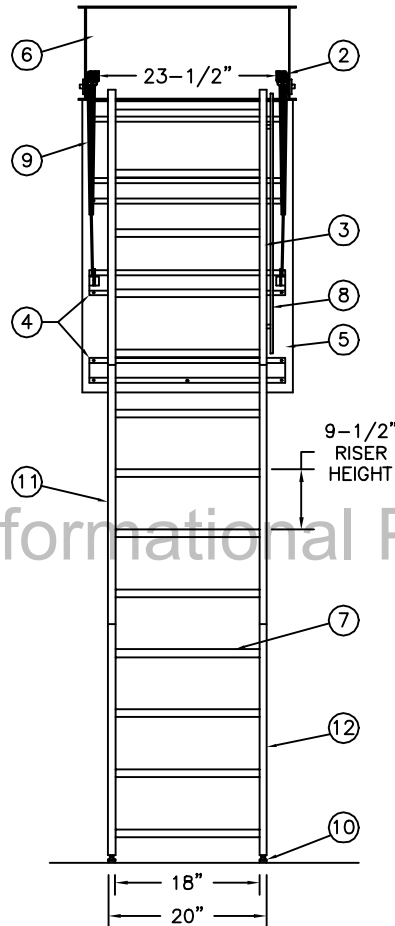


NOTES

IF FLOOR ABOVE IS MORE THAN 12" ABOVE CEILING LINE, 63 DEGREE ANGLE FRAME IS RECOMMENDED.

DIMENSIONS ON THIS DRAWING PERTAIN ONLY TO CEILING HEIGHTS OVER 9'-9".

SHIPS COMPLETELY ASSEMBLED AS ONE UNIT



LADDER LEGEND

- | | |
|---------------------------|------------------------------|
| 1. STEEL PIANO DOOR HINGE | 7. TREAD (SERRATED ALUM.) |
| 2. DOUBLE SPRING ACTION | 8. HANDRAIL RIGHT SIDE ONLY |
| 3. SIDE RUNNER 5" ALUM. | 9. EXTRA HEAVY OPERATING ARM |
| 4. BATTEN 1/8" ALUM. | 10. ADJUSTABLE FOOT |
| 5. DOOR PANEL 1/8" ALUM. | 11. MIDDLE SECTION |
| 6. STEEL ANGLE FRAME | 12. BOTTOM SECTION |
| | 13. FOLD-ASSIST |

NOT TO SCALE



P. O. Box 2279
 Morristown, TN 37816
 Ph: (423) 586-2265
 Fax: (423) 586-2091
 www.PrecisionStairways.com

DWG. CHECK

BUILT BY:

CHECKED BY:

ARCHT OR ENG'R.

PURCHASE ORDER

DRAWN BY:

DNH

PROJECT

REVISION

DATE

4/25/22

PURCHASER

MODEL#

PSS1

PRECISION REP

SERIAL#

QTY.

PSS1144-AH-30