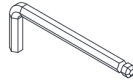


SUGGESTED TOOLS AND MATERIALS



Tape Measure

PARTS INCLUDED



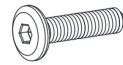
1x



6x



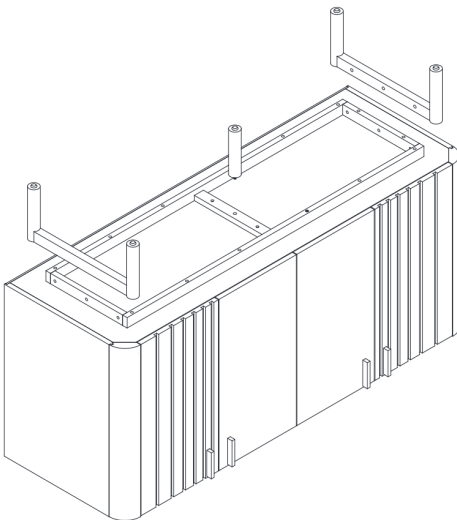
6x



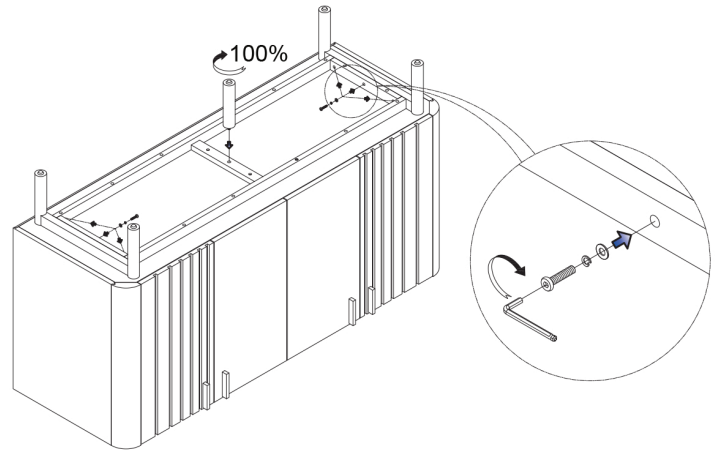
6x

INSTALLATION INSTRUCTIONS

1



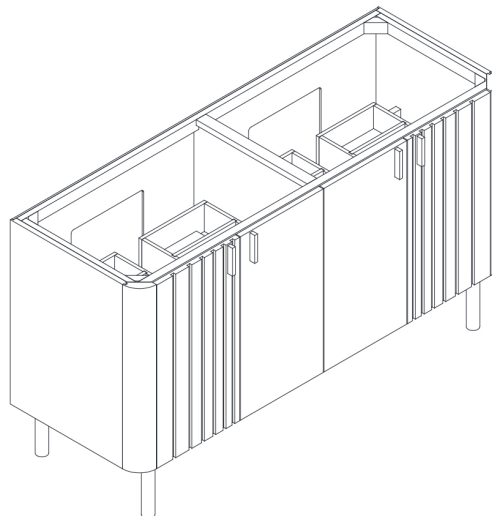
2



Remove vanity and foot from boxes and examine for any defects or damage.

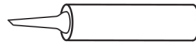
Please assemble this item on a clean, soft surface floor to prevent damage.

3



Finished. Install vanity top according to manufacturer's directions.

SUGGESTED TOOLS AND MATERIALS



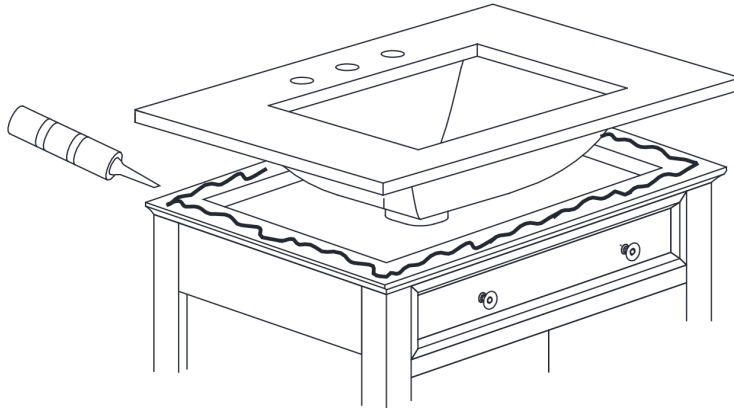
Sealant



Tape Measure

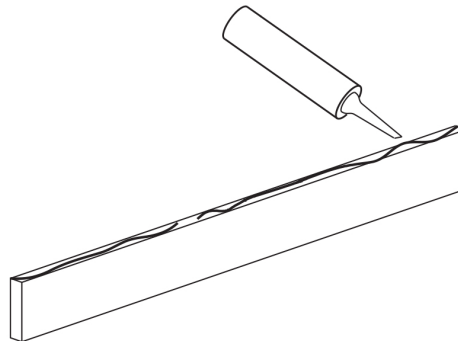
VANITY TOP INSTALLATION

1



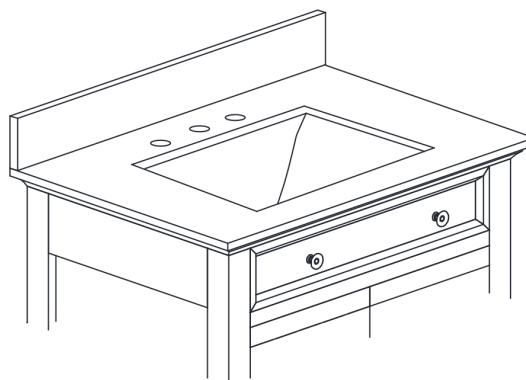
Apply bead of quality sealant evenly along the top of the vanity.

2



Apply silicone sealant evenly along the bottom and backside of backplash.

3



Finally, place the bottom side of back splash with sealant onto the countertop and check alignment of backplash. Adjust the leg levelers as needed