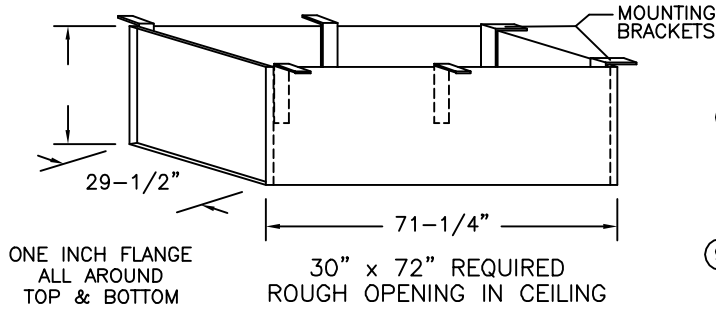


S4000 AUTOMATIC SUPER SIMPLEX STAIRWAY WITH STANDARD BOX FRAME

(USE THIS DRAWING FOR CEILING HEIGHTS BETWEEN 12'-1" TO 13'-6")



**STANDARD BOX FRAME
FABRICATED FROM 1/8" STEEL**

THIS DRAWING ACCOMODATES FRAME DEPTHS FROM 6" TO 11".

NOTES

IF FLOOR ABOVE IS MORE THAN 12" ABOVE CEILING LINE, 63 DEGREE ANGLE FRAME IS RECOMMENDED.

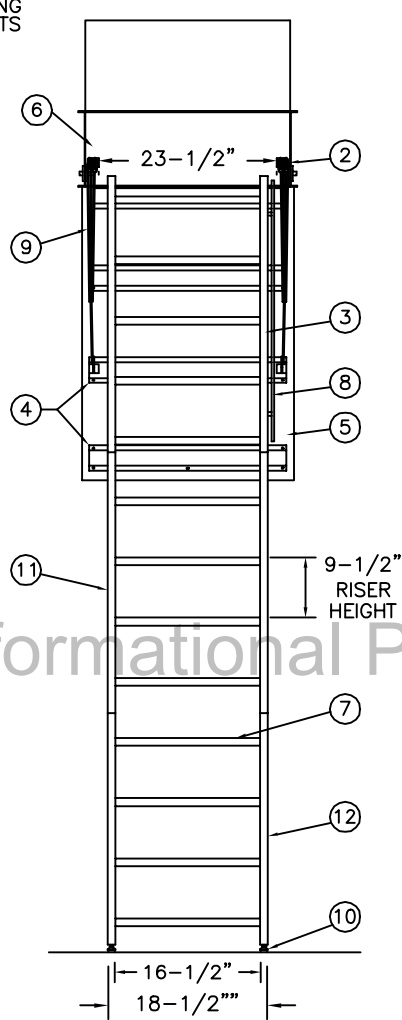
DIMENSIONS ON THIS DRAWING PERTAIN ONLY TO CEILING HEIGHTS BETWEEN 12'-1" AND 13'-6" WITH LESS THAN A 12" FRAME.

SHIPS COMPLETELY ASSEMBLED AS ONE UNIT.

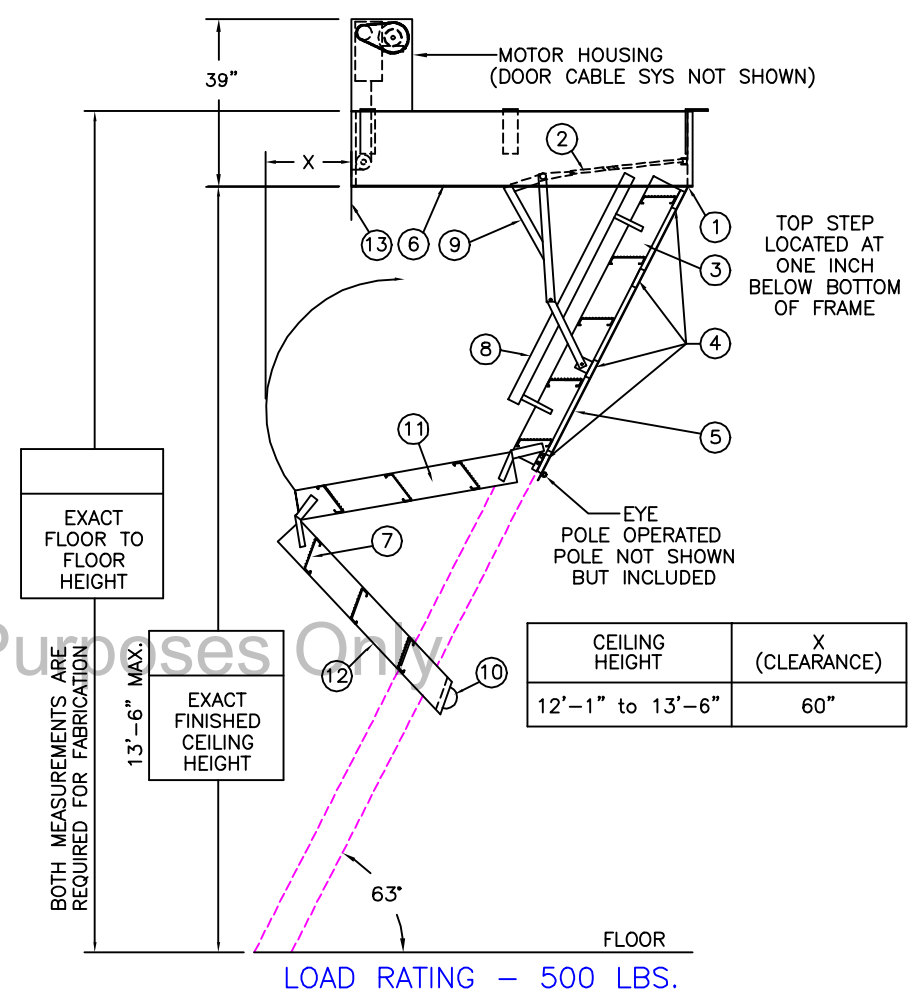
MOTOR REQUIRES STANDARD 120V/30A CIRCUIT

MANUFACTURER RECOMMENDS THAT 2 PEOPLE OPEN/CLOSE UNITS INSTALLED IN CEILINGS 11' AND OVER.

MODEL SS4000 STAIRWAYS ARE ELECTRICALLY OPERATED VIA WIRELESS KEYPAD. ONCE A CORRECT CODE IS KEYED, THE DOOR PANEL OPENS (OR CLOSES) AND THE STAIR SECTIONS UNFOLD (OR FOLD UP).



NOT DESIGNED FOR ATTACHMENTS TO DOOR PANEL



CEILING HEIGHT	X (CLEARANCE)
12'-1" to 13'-6"	60"

BOTH MEASUREMENTS ARE REQUIRED FOR FABRICATION
13'-6" MAX.

LOAD RATING - 500 LBS.

LADDER LEGEND

- 1. STEEL PIANO DOOR HINGE
- 2. DOUBLE SPRING ACTION
- 3. SIDE RUNNER 5" ALUM.
- 4. BATTEN 1/8" ALUM.
- 5. DOOR PANEL 1/8" ALUM.
- 6. STEEL BOX FRAME
- 7. TREAD (SERRATED ALUM.)
- 8. HANDRAIL RIGHT SIDE ONLY
- 9. EXTRA HEAVY OPERATING ARM
- 10. ROLLER
- 11. MIDDLE SECTION
- 12. BOTTOM SECTION
- 13. EMERGENCY RELEASE CABLE

NOT TO SCALE

PSS4162-B-30



P. O. Box 2279
Morristown, TN 37816
Ph: (423) 586-2265
Fax: (423) 586-2091
www.PrecisionStairways.com

DWG. CHECK
BUILT BY:
CHECKED BY:

ARCH'T OR ENG'R.
PURCHASE ORDER
DRAWN BY: DNH

PROJECT
REVISION
DATE: 4/25/22
PURCHASER
MODEL#: PSS4

PRECISION REP
SERIAL#
QTY.