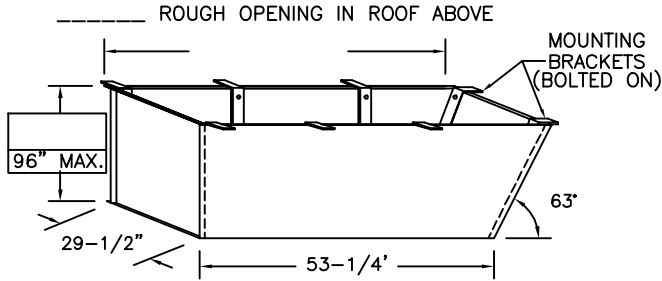


SUPER SIMPLEX WITH DEEP ANGLE FRAME WITH NON-RATED ALUMINUM DOOR

ONE INCH FLANGE
ALL AROUND
TOP & BOTTOM

(USE THIS DRAWING FOR CEILING HEIGHTS UP TO 9' 9")

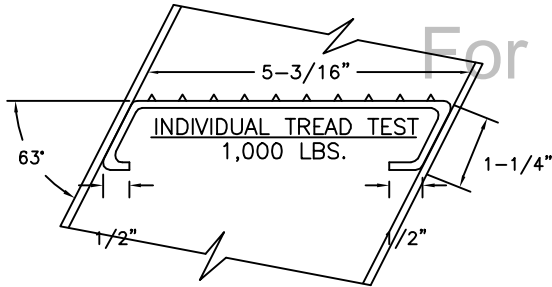
TOP STEP LOCATED AT
ONE INCH BELOW
BOTTOM OF FRAME



30" x 54" REQUIRED
ROUGH OPENING IN CEILING

SPECIAL DEEP FRAME

1/8" STEEL, 63 DEGREE ANGLE ONE END, 90 DEGREE OTHER END, TO CONTAIN SUPER SIMPLEX FOLDING STAIRWAY CUT FOR EXACT FINISHED CEILING HEIGHT. THIS FRAME, WITH FACTORY INSTALLED BUILT-IN TREADS, PROVIDES STEPS FROM THE DROPPED-CEILING LINE TO THE UPPER FLOOR.

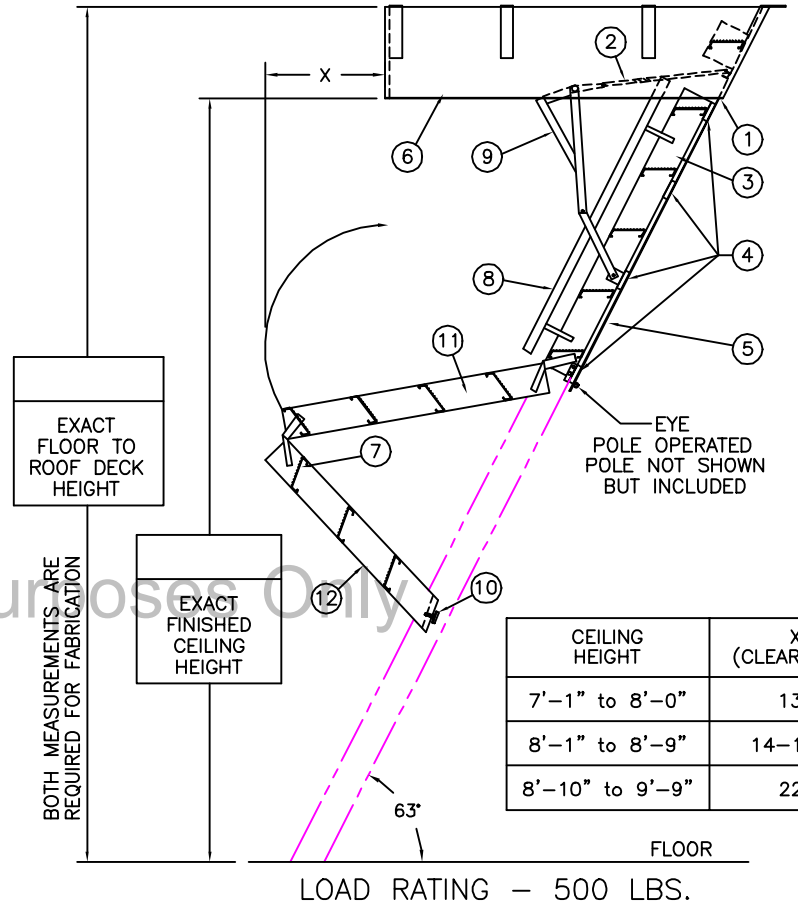
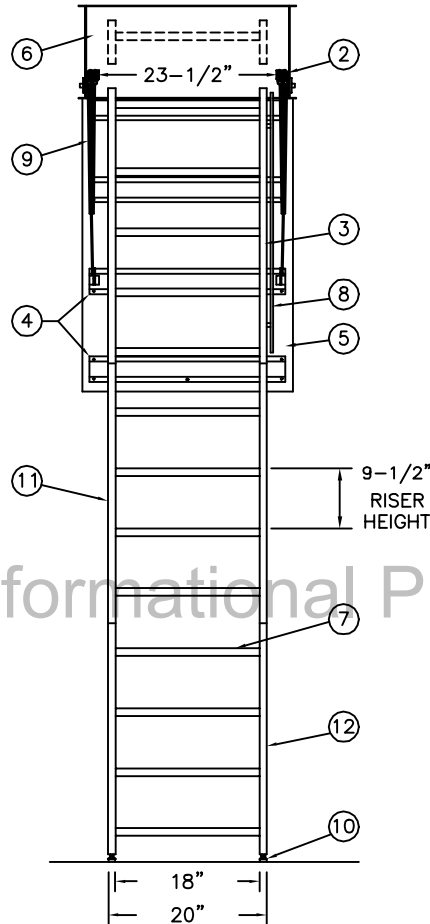


NOTES

IF FLOOR ABOVE IS MORE THAN 12" ABOVE CEILING LINE, 63 DEGREE ANGLE FRAME IS RECOMMENDED.

DIMENSIONS ON THIS DRAWING PERTAIN ONLY TO CEILING HEIGHTS 9'-9" OR LESS.

(SHIPS COMPLETELY ASSEMBLED AS ONE UNIT)



CEILING HEIGHT	X (CLEARANCE)
7'-1" to 8'-0"	13"
8'-1" to 8'-9"	14-1/2"
8'-10" to 9'-9"	22"

LADDER LEGEND

1. STEEL PIANO DOOR HINGE
2. DOUBLE SPRING ACTION
3. SIDE RUNNER 5" ALUM.
4. BATTEN 1/8" ALUM.
5. DOOR PANEL 1/8" ALUM.
6. STEEL ANGLE FRAME
7. TREAD (SERRATED ALUM.)
8. HANDRAIL RIGHT SIDE ONLY
9. EXTRA HEAVY OPERATING ARM
10. ADJUSTABLE FOOT
11. MIDDLE SECTION
12. BOTTOM SECTION

NOT TO SCALE

PSS1117-A-30



P. O. Box 2279
Morristown, TN 37816
Ph: (423) 586-2265
Fax: (423) 586-2091
www.PrecisionStairways.com

DWG. CHECK	ARCH'T OR ENG'R.	PROJECT	PRECISION REP
BUILT BY:	PURCHASE ORDER	REVISION	PURCHASER
CHECKED BY:	DRAWN BY: DNH	DATE: 4/25/22	MODEL# PSS1
		QTY.	
			SERIAL#