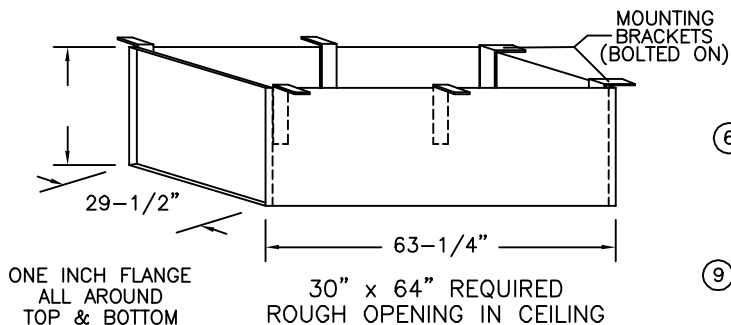


S4000 AUTOMATIC SUPER SIMPLEX STAIRWAY w/NON-RATED ALUMINUM DOOR

(USE THIS DRAWING FOR CEILING HEIGHTS BETWEEN 9'-10" TO 12'-0")



**STANDARD BOX FRAME
FABRICATED FROM 1/8" STEEL**

THIS DRAWING ACCOMODATES FRAME DEPTHS FROM 6" TO 11".

NOTES

IF FLOOR ABOVE IS MORE THAN 12" ABOVE CEILING LINE, 63 DEGREE ANGLE FRAME IS RECOMMENDED.

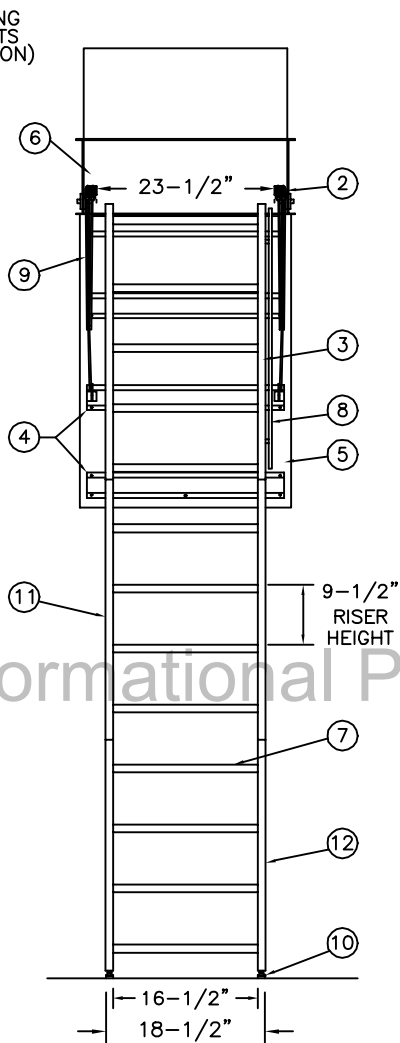
DIMENSIONS ON THIS DRAWING PERTAIN ONLY TO CEILING HEIGHTS BETWEEN 9'-10" AND 12'-0" WITH LESS THAN A 12" FRAME.

SHIPS COMPLETELY ASSEMBLED AS ONE UNIT.

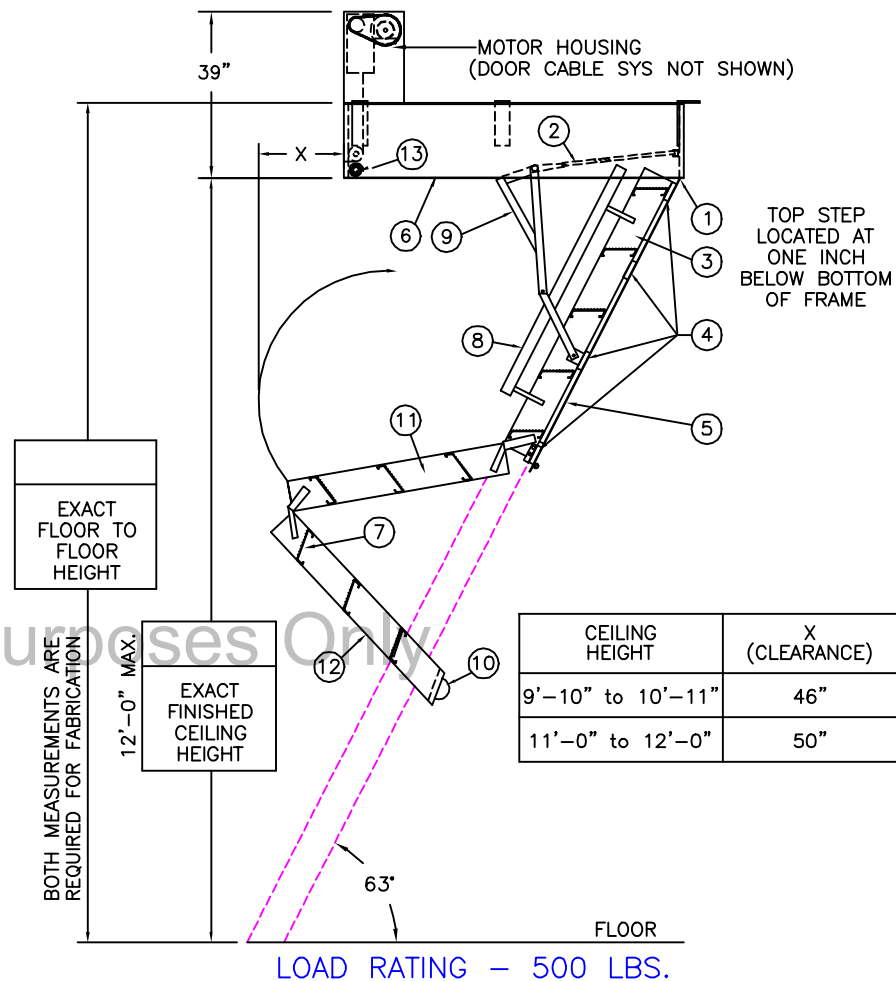
MOTOR REQUIRES STANDARD 120V/30A CIRCUIT

MANUFACTURER RECOMMENDS THAT 2 PEOPLE OPEN/CLOSE UNITS INSTALLED IN CEILINGS 11" AND OVER.

MODEL S4000 STAIRWAYS ARE ELECTRICALLY OPERATED VIA WIRELESS KEYPAD. ONCE A CORRECT CODE IS KEYED, THE DOOR PANEL OPENS (OR CLOSES) AND THE STAIR SECTIONS UNFOLD (OR FOLD UP).



NOT DESIGNED FOR ATTACHMENTS TO DOOR PANEL



LADDER LEGEND

- 1. STEEL PIANO DOOR HINGE
- 2. DOUBLE SPRING ACTION
- 3. SIDE RUNNER 5" ALUM.
- 4. BATTEN 1/8" ALUM.
- 5. DOOR PANEL 1/8" ALUM.
- 6. STEEL BOX FRAME
- 7. TREAD (SERRATED ALUM.)
- 8. HANDRAIL RIGHT SIDE ONLY
- 9. EXTRA HEAVY OPERATING ARM
- 10. ROLLER
- 11. MIDDLE SECTION
- 12. BOTTOM SECTION
- 13. EMERGENCY RELEASE CABLE

NOT TO SCALE

PSS4144-B-30



P. O. Box 2279
Morristown, TN 37816
Ph: (423) 586-2265
Fax: (423) 586-2091
www.PrecisionStairways.com

DWG. CHECK	ARCH'T OR ENG'R.	PROJECT		PRECISION REP
BUILT BY:	PURCHASE ORDER	REVISION	PURCHASER	SERIAL#
CHECKED BY:	DRAWN BY: DNH	DATE: 4/25/22	MODEL#: PSS4	QTY.